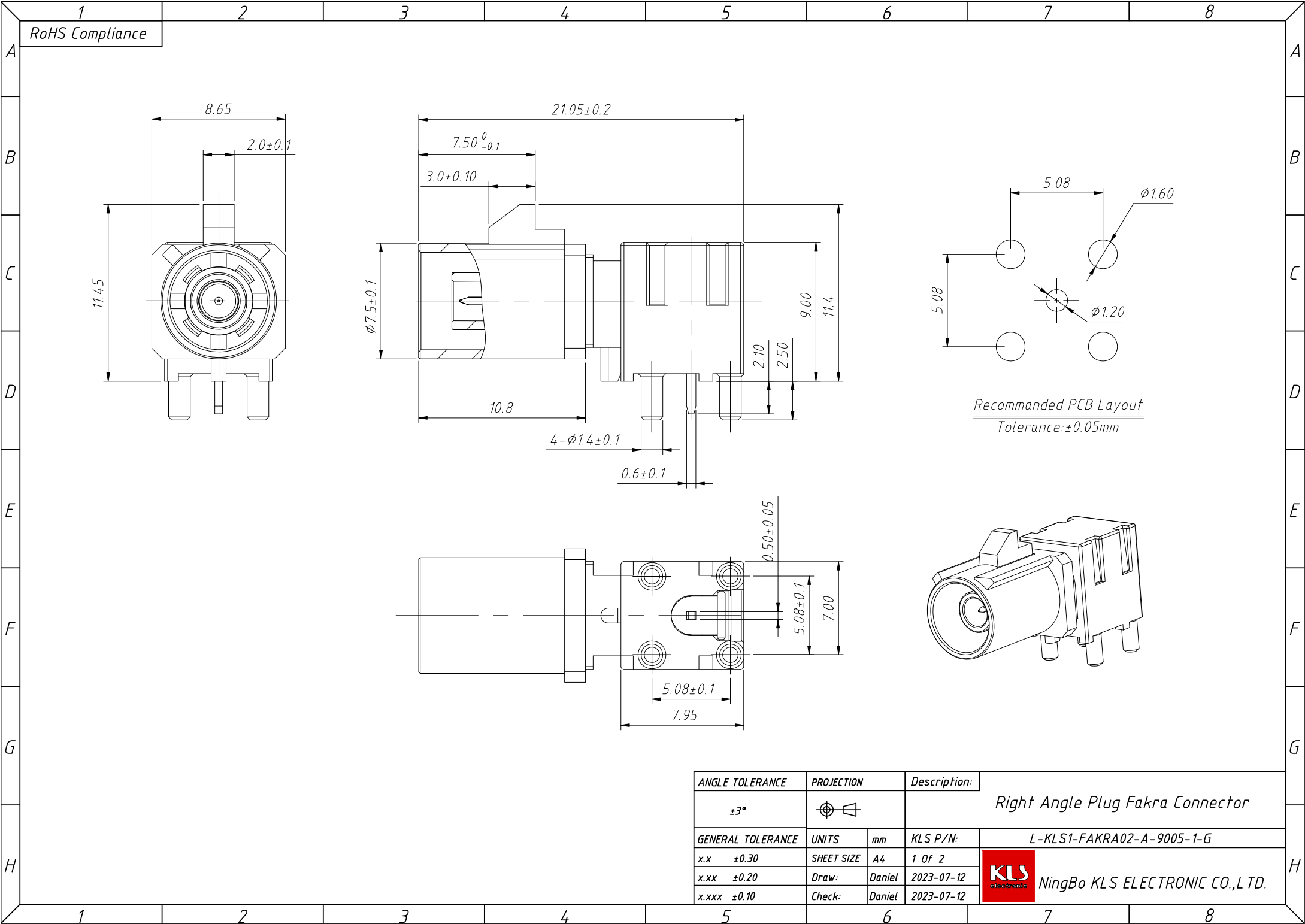
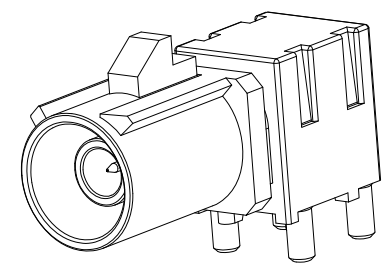


1
RoHS Compliance



Recommended PCB Layout
Tolerance: ±0.05mm



ANGLE TOLERANCE	PROJECTION	Description:		
±3°		Right Angle Plug Fakra Connector		
GENERAL TOLERANCE	UNITS	mm	KLS P/N:	L-KLS1-FAKRA02-A-9005-1-G
x.x ±0.30	SHEET SIZE	A4	1 Of 2	NingBo KLS ELECTRONIC CO.,L TD.
x.xx ±0.20	Draw:	Daniel	2023-07-12	
x.xxx ±0.10	Check:	Daniel	2023-07-12	

1
RoHS Compliance

Card slot direction	Code	Color	RAL	Order Information
	A	Black	sim.9005	FAKRA02-G-A-9005-1-G
	B	White	sim.9001	FAKRA02-G-A-9001-1-G
	C	Blue	sim.5005	FAKRA02-G-A-5005-1-G
	D	Claret Violet	sim.4004	FAKRA02-G-A-4004-1-G
	E	Green	sim.6002	FAKRA02-G-A-6002-1-G
	F	Brown	sim.8011	FAKRA02-G-A-8011-1-G
	G	Grey	sim.7031	FAKRA02-G-A-7031-1-G
	H	Heathea Violet	sim.4003	FAKRA02-G-A-4003-1-G
	I	Beige	sim.1001	FAKRA02-G-A-1001-1-G
	J	Curry	sim.1027	FAKRA02-G-A-1027-1-G
	K	Curry	sim.1027	FAKRA02-G-A-1027-1-G
	L	Carmine Red	sim.3002	FAKRA02-G-A-3002-1-G
	M	Pastel orange	sim.2003	FAKRA02-G-A-2003-1-G
	N	Pastel Green	sim.6019	FAKRA02-G-A-6019-1-G
	O	Water Blue	sim.5021	FAKRA02-G-A-5021-1-G

Material:

Insulator:PA

Contacts:Copper Alloy

Shell:Zinc Alloy

Contact Plating:

Contact Area:6u" Selective Gold

Solder Tails Area:50u"~150u" Tin(Mattele)

Electrical:

Impedance:50Ω

Insulator Resistance:0200MΩ Min. At 020V DC

Withstanding Voltage:AC 800Vrms Min. 60Hz

Voltage Rating:AC 335Vrms

Current Rating:1.0A Max.

Contact Resistance:02mΩ Max. At 20mV Max.

Operation Temp. Range:-40°C to +025°C

Mating Cycles:25 insertions

Order Information

L-KLS1-FAKRA02-A-9005-1-G

RoHS

Card Slot Direction:

A=up B=down C=Left D=Right

RAL:9005 Or 9001,5005,4004,6002,
8011,7031,4003,1001,1027,3002,2003,
6019,5021

Size-1,2,3,4...

Plating:

G-Gold Plated N-Nickel Plated

ANGLE TOLERANCE	PROJECTION	Description:
±3°		Right Angle Plug Fakra Connector
GENERAL TOLERANCE	UNITS	mm
x.x ±0.30	SHEET SIZE	A4
x.xx ±0.20	Draw:	Daniel
x.xxx ±0.02	Check:	Daniel



NingBo KLS ELECTRONIC CO.,L TD.