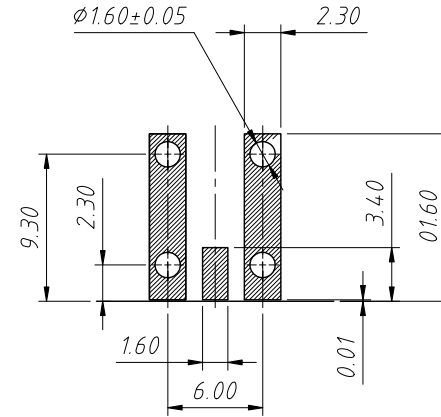
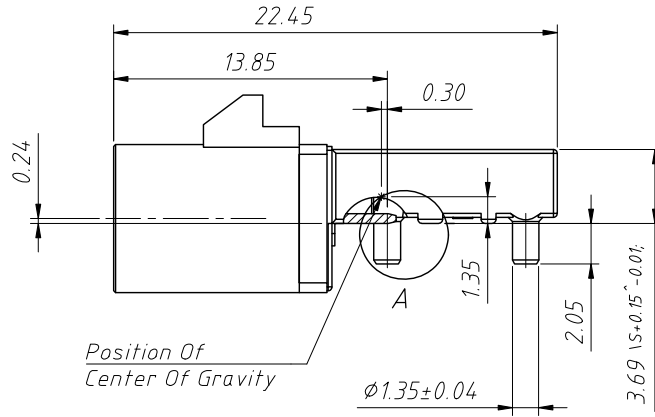
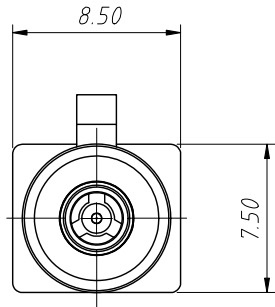
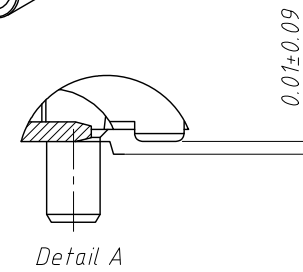
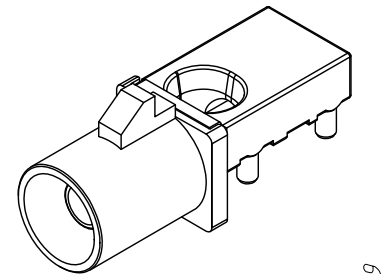
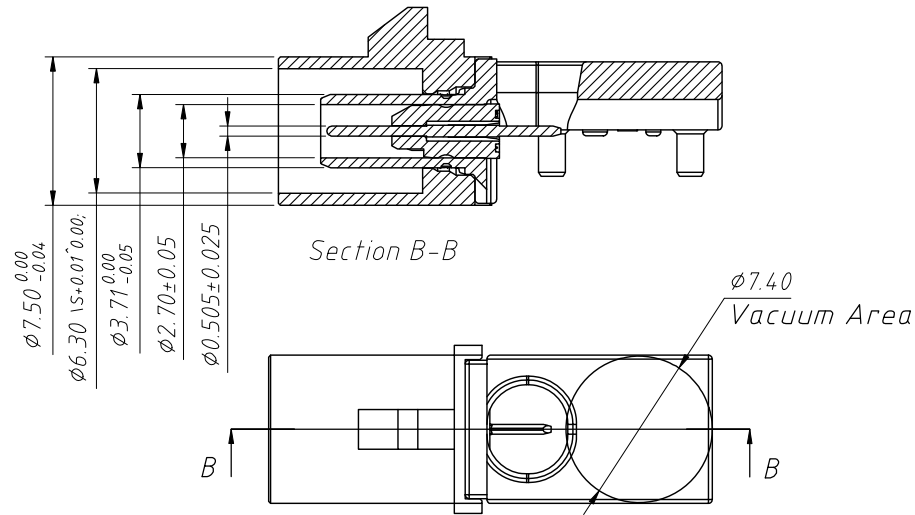
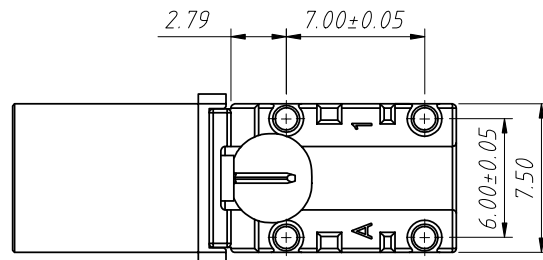


1 RoHS Compliance



Recommended PCB Layout
Tolerance: $\pm 0.05\text{mm}$



ANGLE TOLERANCE	PROJECTION	Description:	Fakra R/A Plug For PCB With Housing (Mid Mount)	
$\pm 3^\circ$				
GENERAL TOLERANCE	UNITS	mm	KLS P/N:	L-KLS1-FAKRA01-A-9005-1-G
x.x ± 0.30	SHEET SIZE	A4	1 Of 2	
x.xx ± 0.20	Draw:	Daniel	2023-07-12	NingBo KLS ELECTRONIC CO.,L TD.
x.xxx ± 0.01	Check:	Daniel	2023-07-12	

1
RoHS Compliance

Card slot direction	Code	Color	RAL	Order Information
	A	Black	sim.9005	FAKRA01-G-A-9005-1-G
	B	White	sim.9001	FAKRA01-G-A-9001-1-G
	C	Blue	sim.5005	FAKRA01-G-A-5005-1-G
	D	Bordeaux Violet	sim.4004	FAKRA01-G-A-4004-1-G
	E	Green	sim.6002	FAKRA01-G-A-6002-1-G
	F	Brown	sim.8011	FAKRA01-G-A-8011-1-G
	G	Grey	sim.7031	FAKRA01-G-A-7031-1-G
	H	Violet	sim.4003	FAKRA01-G-A-4003-1-G
	I	Beige	sim.1001	FAKRA01-G-A-1001-1-G
	K	Curry	sim.1027	FAKRA01-G-A-1027-1-G
	L	Carmine Red	sim.3002	FAKRA01-G-A-3002-1-G
	M	Pastel orange	sim.2003	FAKRA01-G-A-2003-1-G
	N	Pastel Green	sim.6019	FAKRA01-G-A-6019-1-G
	Z	Water Blue	sim.5021	FAKRA01-G-A-5021-1-G

Material:
 Insulator:PA
 Contacts:Copper Alloy
 Shell:Zinc Alloy
 Contact Plating:
 Contact Area:6u" Selective Gold
 Solder Tails Area:50u"~150u" Tin(Mattele)
 Electrical:
 Impedance:50Ω
 Insulator Resistance:0100MΩ Min. At 010V DC
 Withstanding Voltage:AC 800Vrms Min. 60Hz
 Voltage Rating:AC 335Vrms
 Current Rating:1.0A Max.
 Contact Resistance:01mΩ Max. At 20mV Max.
 Operation Temp. Range:-40°C to +015°C
 Mating Cycles:25 insertions

Order Information
 L-KLS1-FAKRA01-A-9005-1-G

RoHS
 Card Slot Direction:
 A=up B=down C=Left D=Right
 RAL:9005 Or 9001,5005,4004,6002,
 8011,7031,4003,1001,1027,3002,2003,
 6019,5021
 Size-1,2,3,4...
 Plating:
 G-Gold Plated N-Nickel Plated

ANGLE TOLERANCE	PROJECTION	Description:	Fakra R/A Plug For PCB With Housing (Mid Mount)
±3°			
GENERAL TOLERANCE	UNITS	mm	KLS P/N: L-KLS1-FAKRA01-A-9005-1-G
x.x ±0.30	SHEET SIZE	A4	2 Of 2
x.xx ±0.20	Draw:	Daniel	2023-07-12
x.xxx ±0.01	Check:	Daniel	2023-07-12

