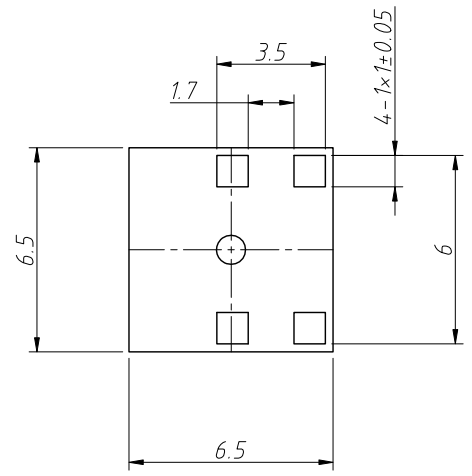
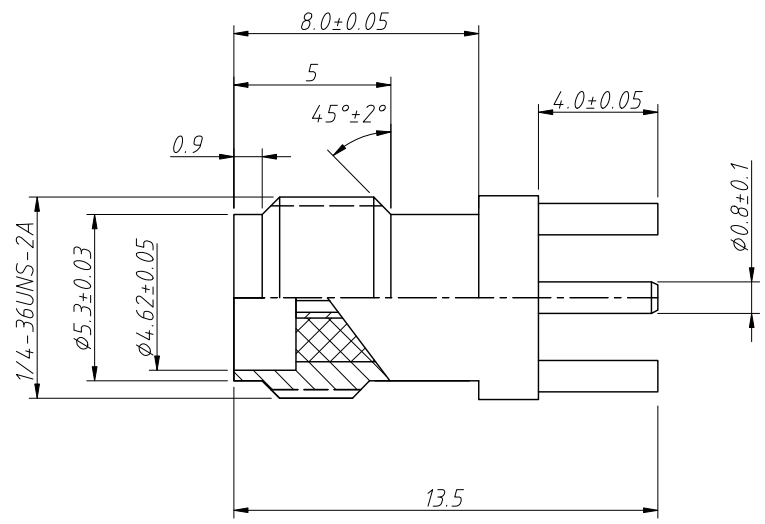


1
RoHS Compliance

6	7	8
REV	SYM	Revision Record
V0	KLS01058	New Version Release
		Appr.
		Song
		Date
		2023-08-29



Notes:
 Body:Environmentally Friendly Brass,Gold Plated
 Insulation:PTFE
 Impedance:50Ω
 Frequency Range:0~3GHz
 Durability:500 Cycles Min
 Adapted Wire:5D-FB

ANGLE TOLERANCE	PROJECTION	Description:	
±3°		SMA Connector	
GENERAL TOLERANCE	UNITS	mm	KLS P/N:
x.x ±0.30	SHEET SIZE	A4	L-KLS1-SMA150
x.xx ±0.20	Draw:	Song	2023-08-29
x.xxx ±0.10	Check:	Daniel	2023-08-29

