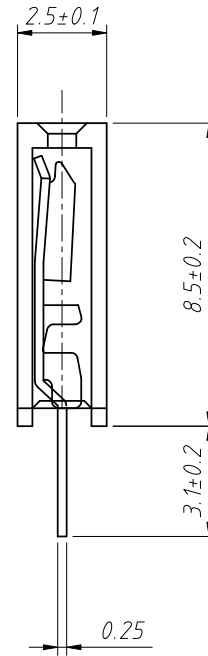
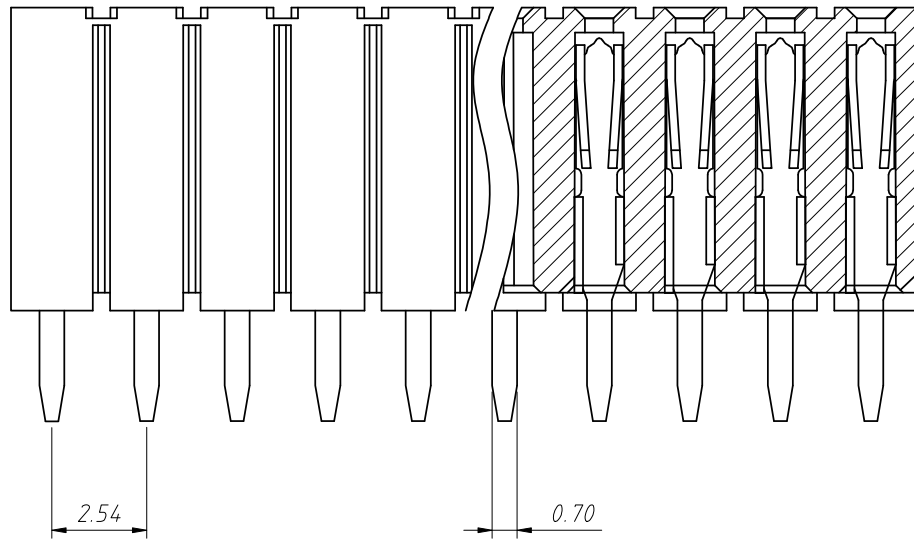
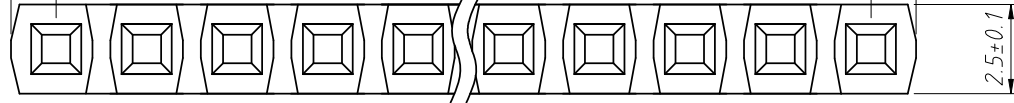


1 RoHS Compliance

2 $2.54 \times \text{No. of Positions} + 0.50 \pm 0.3$

3 $2.54 \times (N-1) \text{ Positions} \pm 0.2$



Material:
Standard:PBT
Contact: Phosphor Bronze
Contact plating:Au or Sn Over 50u" Ni
Insulator:Polyester,UL94V-0

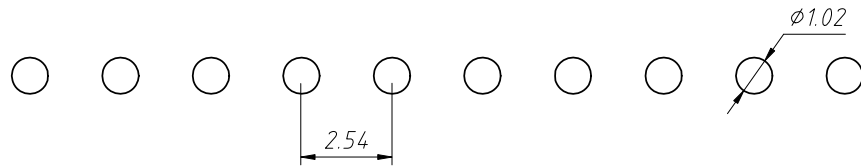
Electrical Characteristics:
Rated Current: 3AMP
Contact Resistance: 20mΩ Max
Withstand Voltage: 1000V AC/DC
Insulator Resistance: 1000MΩ Min

Mechanical:
Operating Temperature: -40°C ~ +105°C
Max.Processing Temp:220°C for 30-60 seconds
 (235 for 5 seconds)

Order Information:

L-KLS1-208V-1-XX-S-A

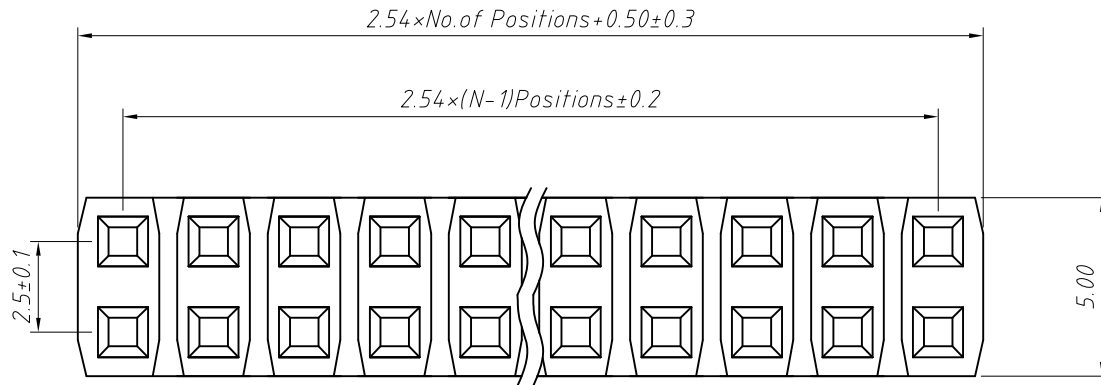
L: RoHS
 Pin Header Series
 208V:2.54mm
 Per Row:Single layer
 Pin: No. of Pins (1x40)
 Type: Straight Pin
 Material:A=PBT B=PA6T C=LCP



Recommended P.C.B Layout

ANGLE TOLERANCE	PROJECTION	Description:	2.54mm Female Header
±3°			Single layer, Straight Pin Dip 180°, 1xN Pin
GENERAL TOLERANCE	UNITS	mm	KLS P/N: L-KLS1-208V-1-XX-S-A
x.x ±0.30	SHEET SIZE	A4	NingBo KLS ELECTRONIC CO.,L TD.
x.xx ±0.20	Draw:	Daniel 2018-07-10	
x.xxx ±0.10	Check:	Daniel 2018-07-10	

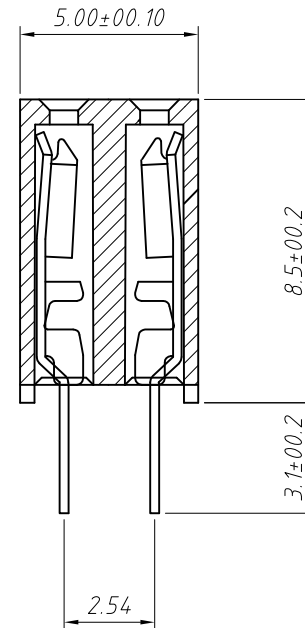
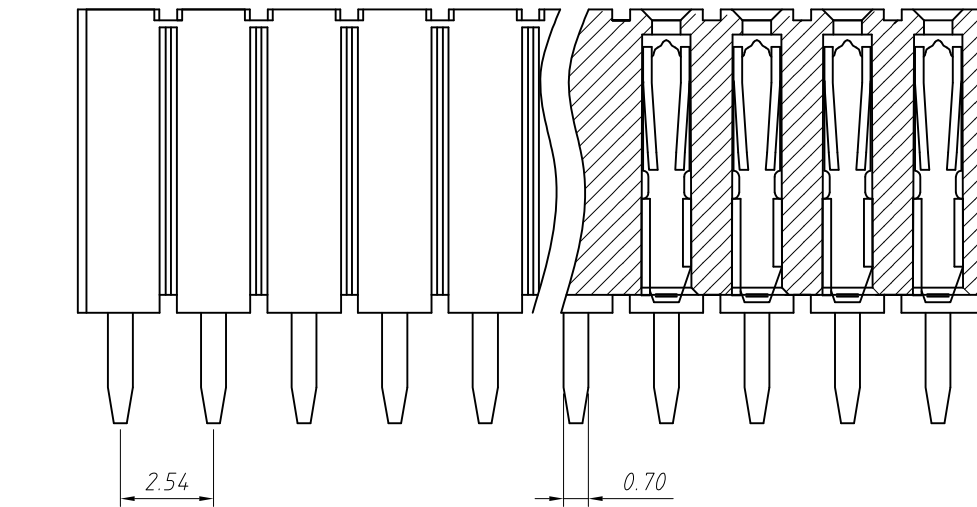
RoHS Compliance



Material:
Standard:PBT
Contact: Brass
Contact plating:Au or Sn Over 50u" Ni
Insulator:Polyester,UL 94V-0

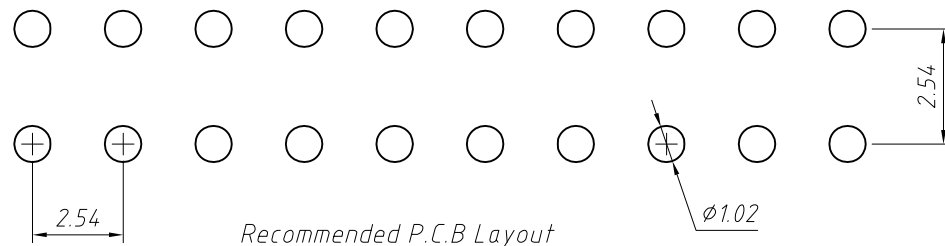
Electrical Characteristics:
Rated Current: 3AMP
Contact Resistance: 20mΩ Max
Withstand Voltage: 1000V AC/DC
Insulator Resistance: 1000MΩ Min

Mechanical:
Operating Temperature: -40°C ~ +105°C
Max.Processing Temp:220°C for 30-60 seconds
 (235 for 5 seconds)



Order Information:
L-KLS1-208V-2-XX-S-A

- L: RoHS
- Pin Header Series
- 208V:2.54mm
- Per Row:Double layer
- Pin: No. of Pins (2x40)
- Type: Straight Pin
- Material: A=PBT B=PA6T C=LCP



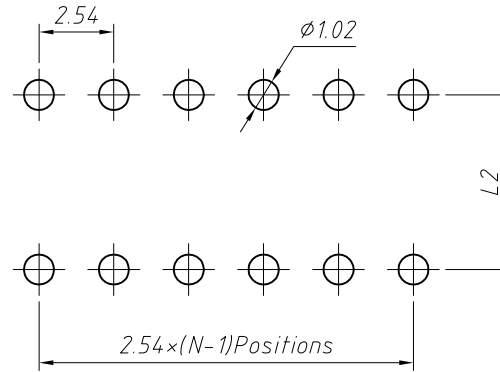
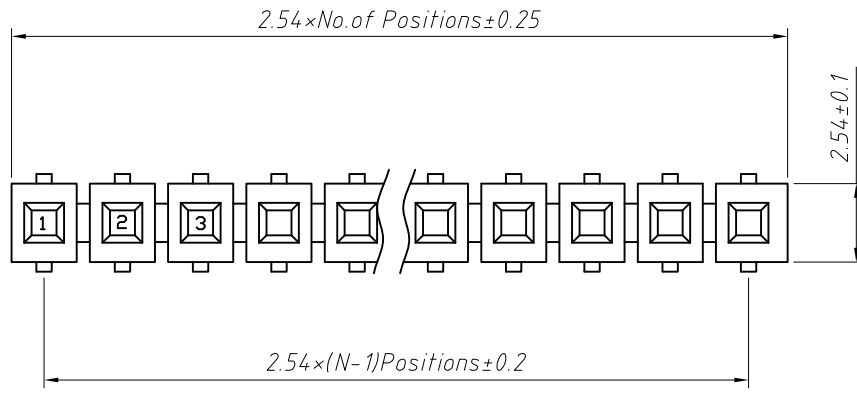
Recommended P.C.B Layout

ANGLE TOLERANCE	PROJECTION	Description:	2.54mm Female Header	
±3°			Double layer, Straight Pin Dip 180°, 2xN Pin	
GENERAL TOLERANCE	UNITS	mm	KLS P/N:	L-KLS1-208V-2-XX-S-A
x.x ±0.30	SHEET SIZE	A4		
x.xx ±0.20	Draw:	Daniel	2018-07-10	
x.xxx ±0.10	Check:	Daniel	2018-07-10	



NingBo KLS ELECTRONIC CO.,L TD.

1 RoHS Compliance

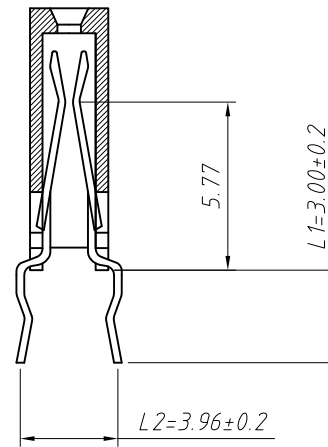
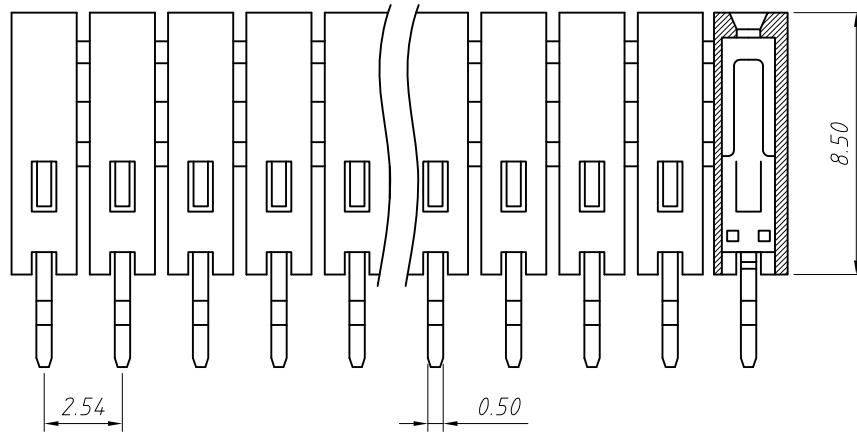


Recommended P.C.B Layout (Top Side)
(PCB BOARD TOLERANCE ± 0.05)

Material:
Standard: PA6T
Contact: Brass
Contact plating: Au or Sn Over Ni
Insulator: Polyester, UL 94V-0

Electrical Characteristics:
Rated Current: 3AMP
Contact Resistance: 20mΩ Max
Withstand Voltage: 500V AC/DC
Insulator Resistance: 1000MΩ Min

Mechanical:
Operating Temperature: -40°C ~ +105°C
Max. Processing Temp: 180°C for 30-60 seconds
(235 for 5 seconds)



Order Information:
L-KLS1-208V-1-XX-W-L1xL2-B-A

L: RoHS
Pin Header Series
208V: 2.54mm
Per Row: Single layer
Pin: No. of Pins (1x40)
Type: Bottom Entry
Size: L1xL2
Material: A=PBT B=PA6T C=LCP
Packing: A=Tray T=Tube

Dimension antitheses list (mm)

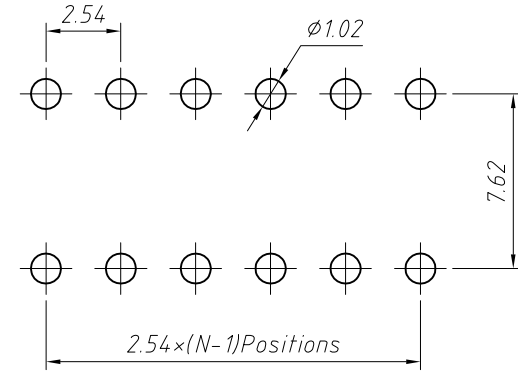
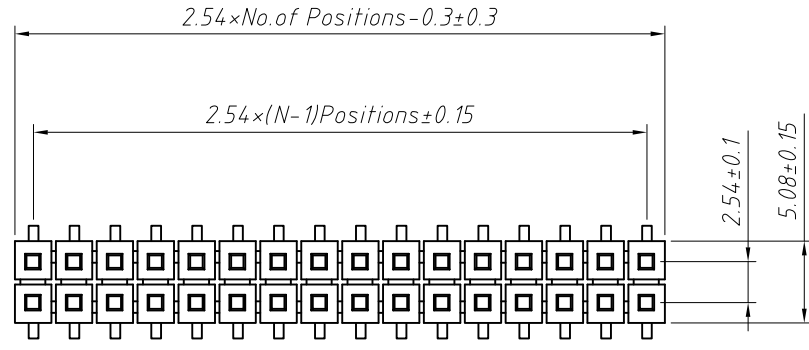
ITEM	L1	L2	Plastic Height
Standard	3.00	3.96	8.50
Nonstandard	---	---	---

ANGLE TOLERANCE	PROJECTION	Description:
±3°		2.54mm Female Header Single layer, Bottom Entry, 1xN Pin
GENERAL TOLERANCE	UNITS	mm
x.x ±0.30	SHEET SIZE	A4
x.xx ±0.20	Draw:	Daniel 2018-07-10
x.xxx ±0.10	Check:	Daniel 2018-07-10



NingBo KLS ELECTRONIC CO.,L TD.

1
RoHS Compliance

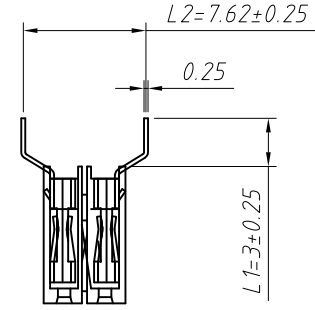
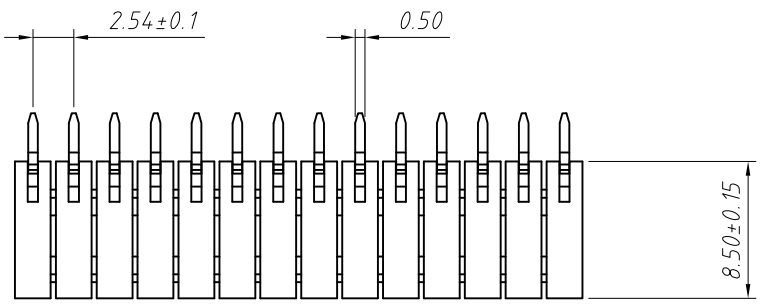


Recommended P.C.B Layout (Top Side)
(PCB BOARD TOLERANCE ± 0.05)

Material:
Standard: PA6T
Contact: Brass
Contact plating: Au or Sn Over Ni
Insulator: Polyester, UL 94V-0

Electrical Characteristics:
Rated Current: 3AMP
Contact Resistance: 20mΩ Max
Withstand Voltage: 500V AC/DC
Insulator Resistance: 1000MΩ Min

Mechanical:
Operating Temperature: -40°C ~ +105°C
Max. Processing Temp: 180°C for 30-60 seconds
(235 for 5 seconds)



Order Information:
L-KLS1-208V-2-XX-W-L1xL2-B-A

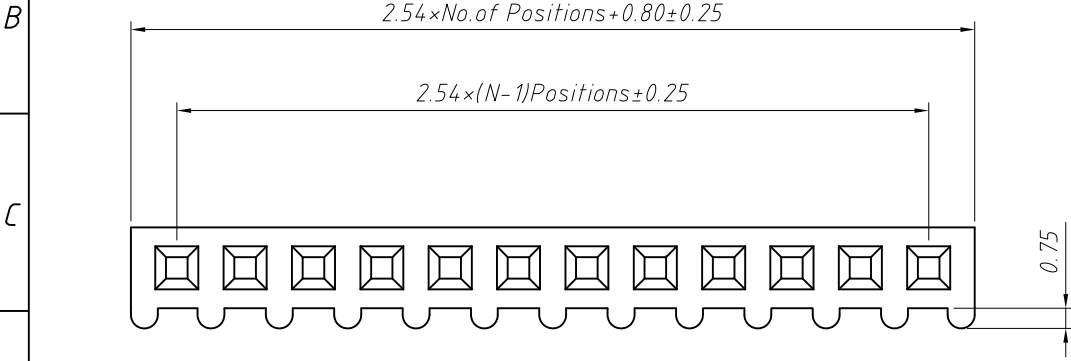
L: RoHS
Pin Header Series
208V: 2.54mm
Per Row: Double layer
Pin: No. of Pins (2x4.0)
Type: Bottom Entry
Size: L1xL2
Material: A=PBT B=PA6T C=LCP
Packing: A=Tray T=Tube

Dimension antitheses list (mm)			
ITEM	L1	L2	Plastic Height
Standard	3.00	7.62	8.50
Nonstandard	---	---	---

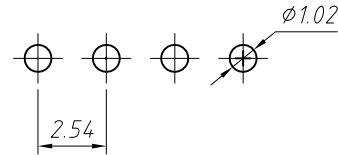
ANGLE TOLERANCE	PROJECTION	Description:	2.54mm Female Header Double layer, Bottom Entry, 2xN Pin
±3°			
GENERAL TOLERANCE	UNITS	mm	KLS P/N: L-KLS1-208V-2-XX-W-L1xL2-B-A
x.x ±0.30	SHEET SIZE	A4	
x.xx ±0.20	Draw:	Daniel	2018-07-10
x.xxx ±0.10	Check:	Daniel	2018-07-10



1 RoHS Compliance



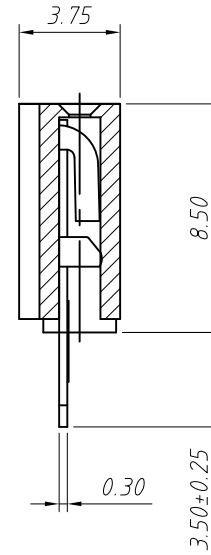
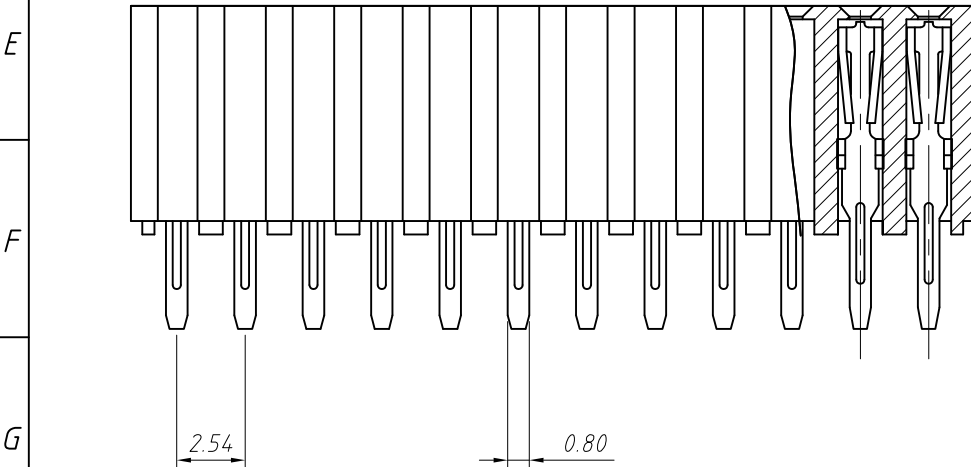
Recommended P.C.B Layout



Material:
Standard:PBT
Contact: Phosphor Bronze
Plating:Au or Sn Over 50u" Ni
Insulator:Polyester,UL 94V-0

Electrical Characteristics:
Rated Current: 3AMP
Contact Resistance: 20mΩ Max
Withstand Voltage: 600V AC/DC
Insulator Resistance: 1000MΩ Min

Mechanical:
Operating Temperature: -40°C ~ +105°C
Max.Processing Temp:220°C for 30-60 seconds
 (235 for 5 seconds)



Order Information:

L-KLS1-208V-1-XX-S1-A

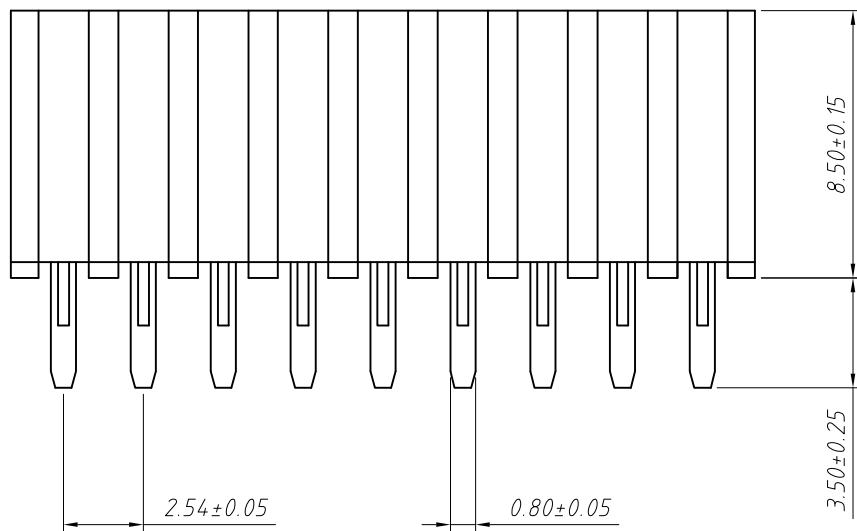
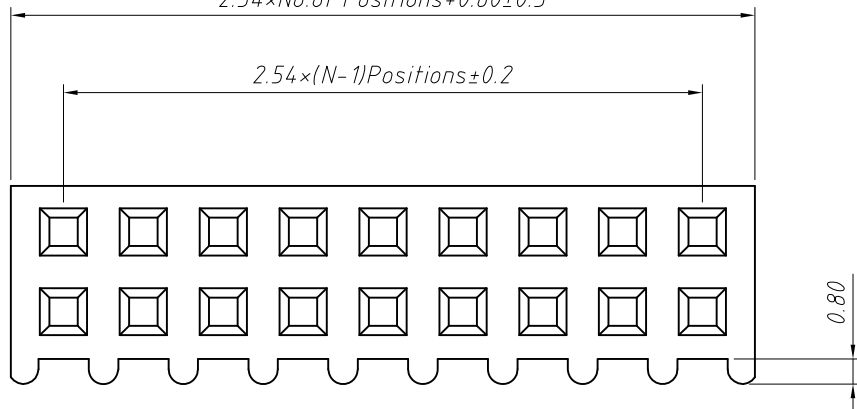
L: RoHS
 Pin Header Series
 208V:2.54mm
 Per Row:Single layer
 Pin: No. of Pins (1x40)
 Type: Straight Pin
 Material:A=PBT B=PA6T C=LCP

ANGLE TOLERANCE	PROJECTION	Description:	2.54mm Female Header	
±3°			Single layer, Straight Pin, 1xN Pin	
GENERAL TOLERANCE	UNITS	mm	KLS P/N:	L-KLS1-208V-1-XX-S1-A
x.x ±0.30	SHEET SIZE	A4		
x.xx ±0.20	Draw:	Daniel	2018-07-10	NingBo KLS ELECTRONIC CO.,L TD.
x.xxx ±0.10	Check:	Daniel	2018-07-10	

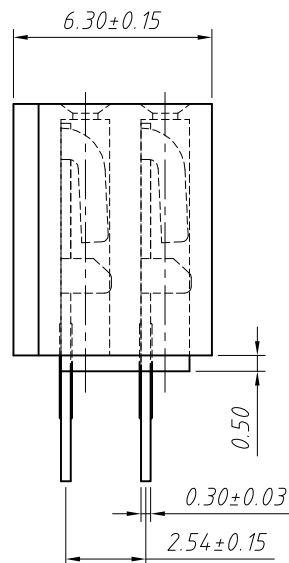
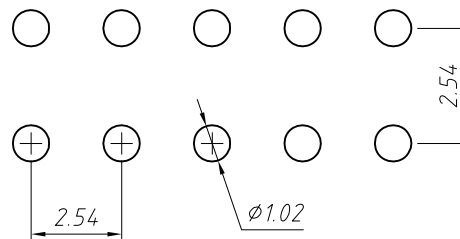
1 RoHS Compliance

$$2.54 \times \text{No. of Positions} + 0.80 \pm 0.3$$

$$2.54 \times (N-1) \text{ Positions} \pm 0.2$$



Recommended P.C.B Layout



Material:

Standard: PBT

Contact: Phosphor Bronze

Contact plating: Au or Sn Over 50u" Ni

Insulator: Polyester, UL 94V-0

Electrical Characteristics:

Rated Current: 3AMP

Contact Resistance: 20mΩ Max

Withstand Voltage: 500V AC/DC

Insulator Resistance: 5000MΩ Min

Mechanical:

Operating Temperature: -40°C ~ +105°C

Max. Processing Temp: 220°C for 30-60 seconds
(235 for 5 seconds)

Order Information:

L-KLS1-208V-2-XX-S1-A

L: RoHS

Pin Header Series

208V: 2.54mm

Per Row: Double layer

Pin: No. of Pins (2x40)

Type: Straight Pin

Material: A=PBT B=PA6T C=LCP

ANGLE TOLERANCE	PROJECTION	Description:	2.54mm Female Header
±3°			Double layer, Straight Pin, 2xN Pin
GENERAL TOLERANCE	UNITS	mm	KLS P/N:
x.x ±0.30	SHEET SIZE	A4	L-KLS1-208V-2-XX-S1-A
x.xx ±0.20	Draw:	Daniel	2018-07-10
x.xxx ±0.10	Check:	Daniel	2018-07-10



NingBo KLS ELECTRONIC CO.,L TD.