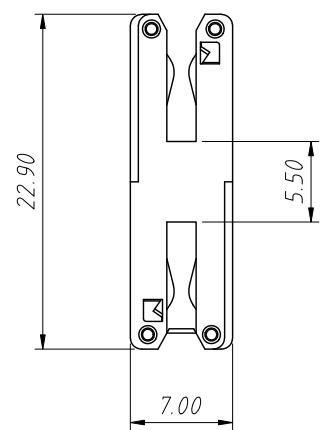


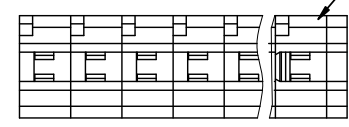
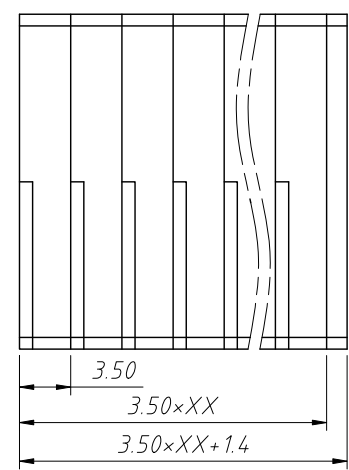
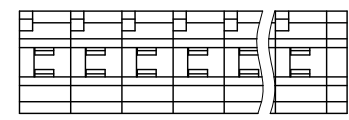
1
RoHS Compliance



Material:
 Insulation: PA66, UL 94V-0
 Contactor: Copper alloy, Sn plated

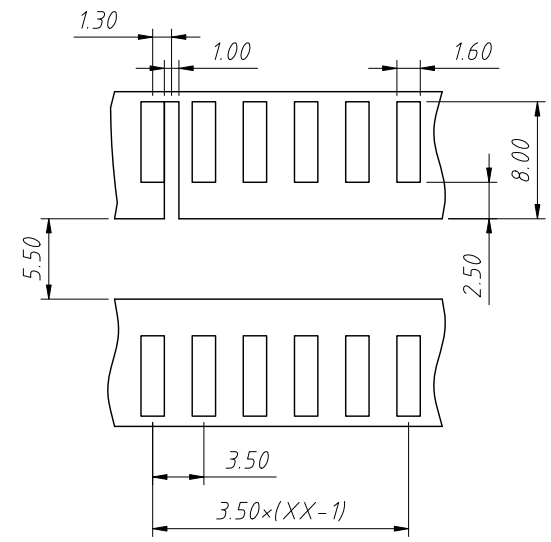
Electrical:
 Rated Voltage: 150V
 Rated Current: 8A
 Withstanding Voltage: 1300VAC(1min)

Mechanical:
 Operating temperature: -40°C to +105°C



Installation by cover plate
 Unidirectional anti dazzle body

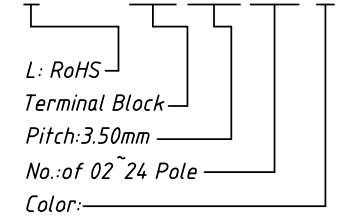
Thickness of the PCB: 1.6±0.2mm



PCB LAYOUT

Order Information:

L-KLS2-PCP-3.50-XXP-X



Color:
 1=Gray 2=Blue 3=Black
 4=Green 5=Orange 6=Red
 7=Transp 8=Yellow 9=White

ANGLE TOLERANCE	PROJECTION	Description:	3.50mm Pluggable terminal block	
±3°				
GENERAL TOLERANCE	UNITS	mm	KLS P/N:	L-KLS2-PCP-3.50-XXP-X
x.x ±0.30	SHEET SIZE	A4		
x.xx ±0.20	Draw:	Daniel	2023-05-05	NingBo KLS ELECTRONIC CO.,L TD.
x.xxx ±0.10	Check:	Daniel	2023-05-05	