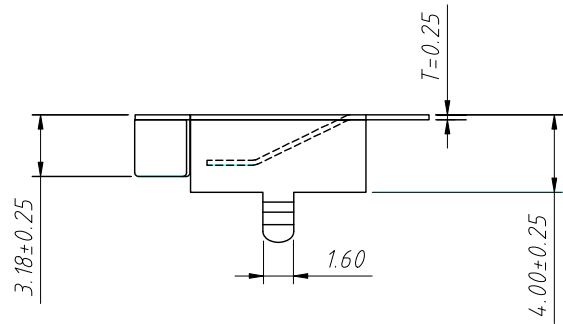
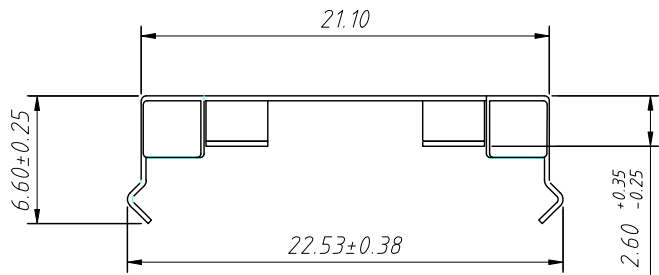
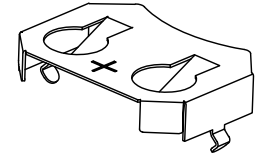
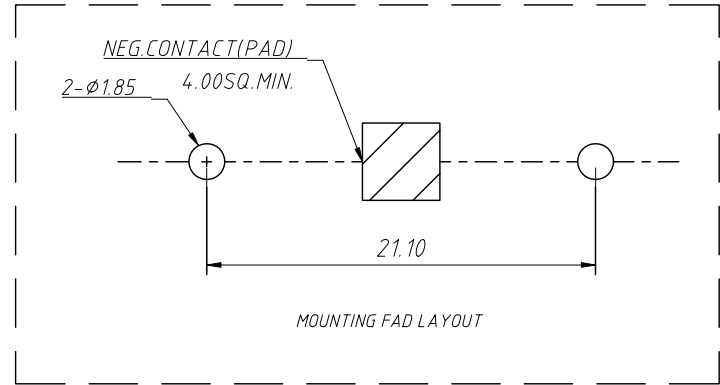
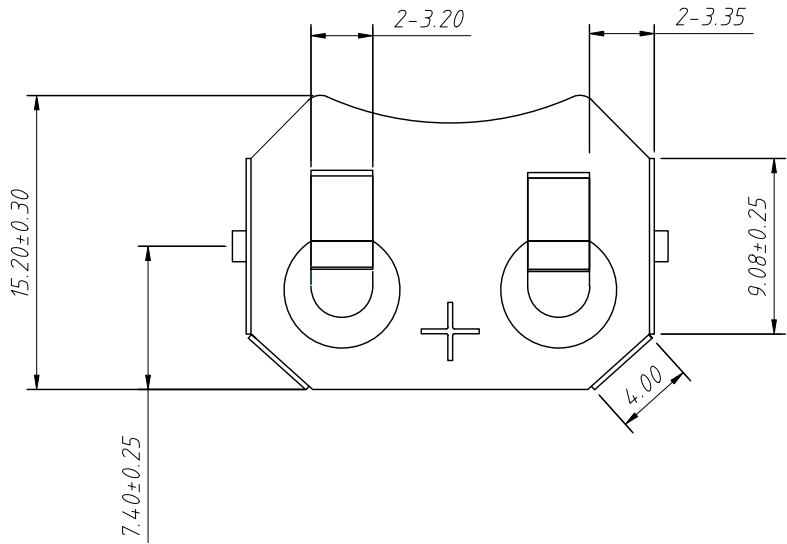


1  
RoHS Compliance



Order Information:  
L-KLS5-CR2032-67  
L: RoHS  
CR2032 Coin  
Battery Holder  
Part Number

ANGLE TOLERANCE			Description:	CR2032 DIP COIN CELL RETAINERS, H4.00mm, Tin plated
±3°				
GENERAL TOLERANCE	UNITS	mm	KLS P/N:	L-KLS5-CR2032-67
x.x ±0.30	SHEET SIZE	A4		
x.xx ±0.20	Draw:	Daniel	2022-03-01	NingBo KLS ELECTRONIC CO.,LTD.
x.xxx ±0.10	Check:	Daniel	2022-03-01	