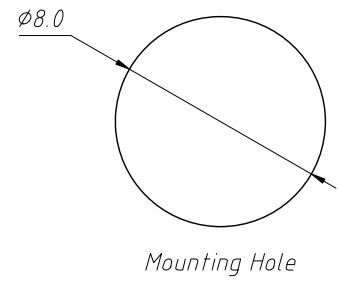
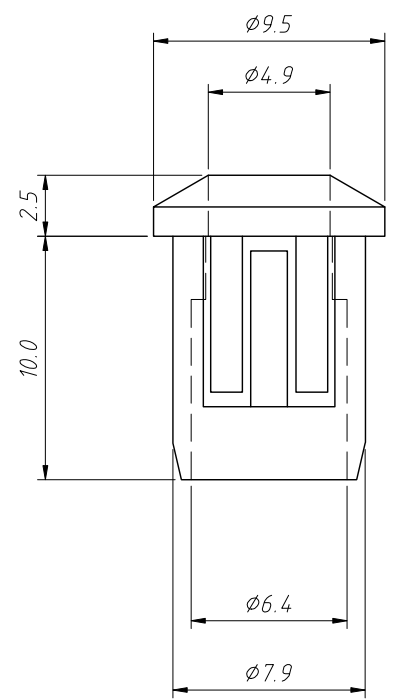


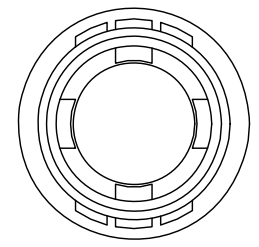
1
RoHS Compliance

6		7		8	
REV	SYM	Revision Record		Appr.	Date
V0	KLS01085	New Version Release		Jenny	2023-07-26



Order Information:
 L-KLS8-0122-LED5-10
 L: RoHS
 5mm LED Holder
 Hight 10mm

Material:
 Housing:PA6,94V-2,Black



ANGLE TOLERANCE	PROJECTION	Description:			
±3°		Led Holder For LED φ5mm			
GENERAL TOLERANCE	UNITS	mm	KLS P/N:	L-KLS8-0122-LED5-10	
x.x ±0.30	SHEET SIZE	A4		NingBo KLS ELECTRONIC CO.,L TD.	
x.xx ±0.20	Draw:	Jenny	2023-07-26		
x.xxx ±0.10	Check:	Daniel	2023-07-26		