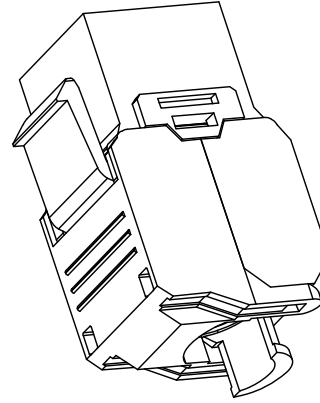
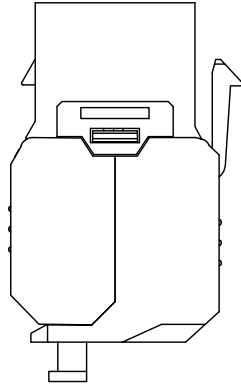
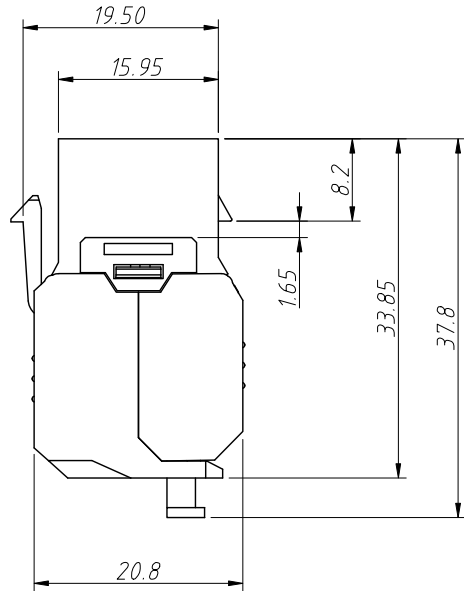


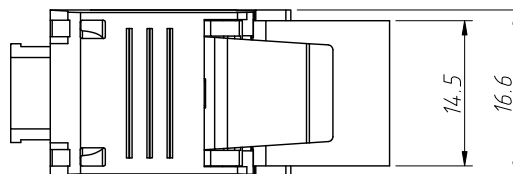
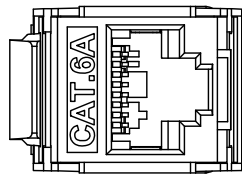
1  
RoHS Compliance



Notes:  
 1.Material  
 Insert:PC  
 Shell:Nylon  
 PCB:FR-4 T=1.6mm  
 Contact:Phosphor Bronze Stamp Pin  
 T=0.30mm  
 IDC Contact:Phosphor Bronze  
 T=0.50mm Tin Plating  
 RJ45 JACK Life:750 Times Min  
 IDC Life:200 Times Min  
 Wire:AWG 22~24

2.Electrical:  
 Voltage Rating:125 VAC RMS  
 Current Rating:1.5 AMP  
 Contact Resistance:100mΩ Max  
 Insulation Resistance:  
 1000 MΩ Min @ 500V DC  
 Dielectric Strength:  
 750 VAC RMS 60HZ 1Min

3.Environmental:  
 Storage:-40°C ~ +85°C  
 Operation TEMP.:0°C ~ 70°C  
 Conform To TIA/EIA 568B CAT6A  
 Mats With Modulap Plug



ANGLE TOLERANCE		PROJECTION		Description:	
±2°				CAT6A UTP 8P8C Keystone Jacks	
GENERAL TOLERANCE		UNITS	mm	KLS P/N:	L-KLS12-DK6A003-8P8C
x.x	±0.2	SHEET SIZE	A4	XX	
x.xx	±0.1	Draw:	Daniel	2023-06-26	
x.xxx	±0.05	Check:	Daniel	2023-06-26	

NingBo KLS ELECTRONIC CO.,L TD.