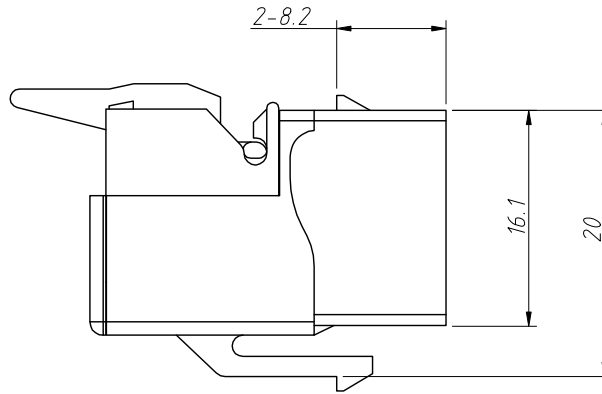
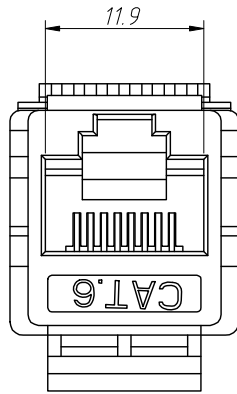


1  
RoHS Compliance



Notes:

1.Material:

Housing:PC,UL 94 V-2

Contact:Phosphor Bronze,Gold Plated

2.Electric:

Suitable Wire Diameter: $\phi 0.35 \sim 0.65\text{mm}$

Contact Resistance: $20\text{m}\Omega$  Max

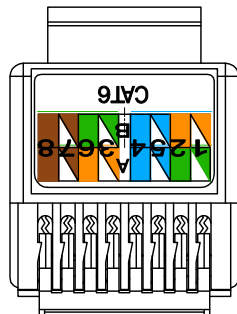
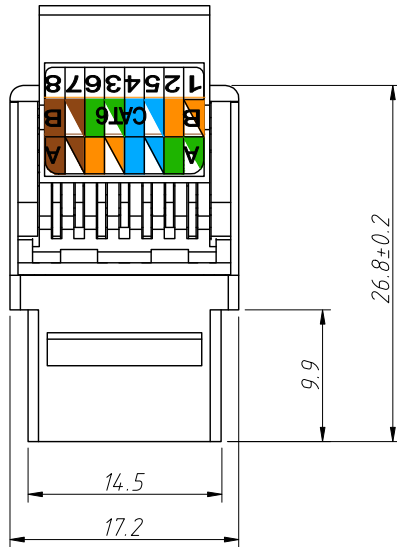
Insulation Resistance: $500\text{M}\Omega$  Min

Withstand Voltage Strength:

DC1000 V (AC700 V) For 1 Minute Without Breakdown Or Arcing Phenomenon

Electrical Transmission Performance:

In Accordance With ANSI/TIA 568C CAT6



ANGLE TOLERANCE	PROJECTION	Description:	
$\pm 3^\circ$		CAT5E UTP 8P8C Keystone Jacks	
GENERAL TOLERANCE		UNITS	mm
xx $\pm 0.2$	x $\pm 0.16$	SHEET SIZE	A4
x.x $\pm 0.12$	Draw:	Daniel	2023-06-26
x.xx $\pm 0.08$	Check:	Daniel	2023-06-26
		NingBo KLS ELECTRONIC CO.,L TD.	



NingBo KLS ELECTRONIC CO.,L TD.