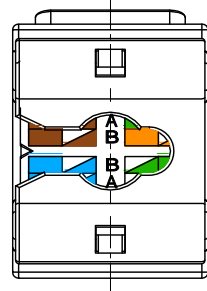
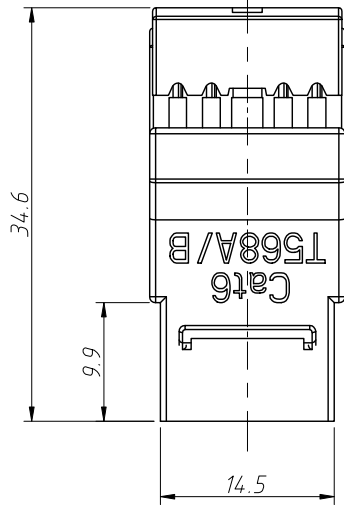
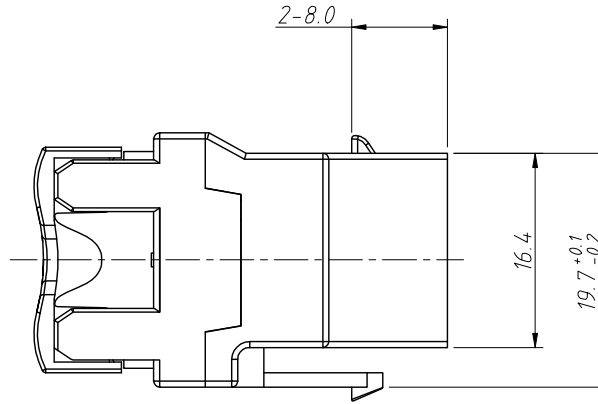
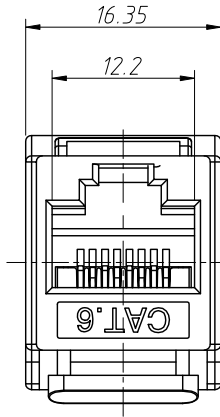


1
RoHS Compliance



Notes:
 1.Material:
 Housing:PC,UL 94 V-2
 Contact:Phosphor Bronze,Gold Plated
 2.Electric:
 Suitable Wire Diameter:φ0.35~0.65mm
 Contact Resistance:20mΩ Max
 Insulation Resistance:500MΩ Min
 Withstand Voltage Strength:
 DC1000 V (AC700 V) For 1 Minute Without
 Breakdown Or Arcing Phenomenon
 Electrical Transmission Performance:
 In Accordance With ANSI/TIA 568C CAT6

ANGLE TOLERANCE	PROJECTION	Description:		
±3°		CAT5E UTP 8P8C Keystone Jacks		
GENERAL TOLERANCE		UNITS	mm	KLS P/N:
xx ±0.2	SHEET SIZE	A4	XX	L-KLS12-DK6C011-8P8C
x.x ±0.12	Draw:	Daniel	2023-06-14	NingBo KLS ELECTRONIC CO.,L TD.
x.xx ±0.08	Check:	Daniel	2023-06-14	