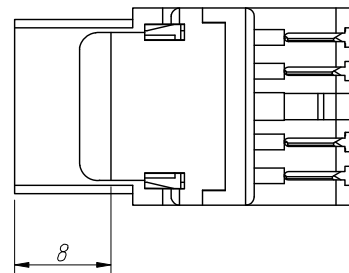
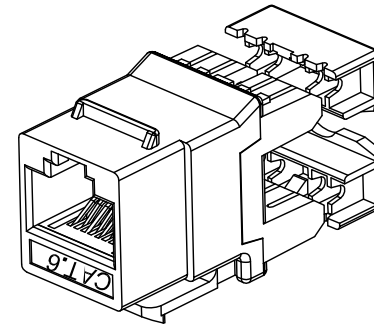
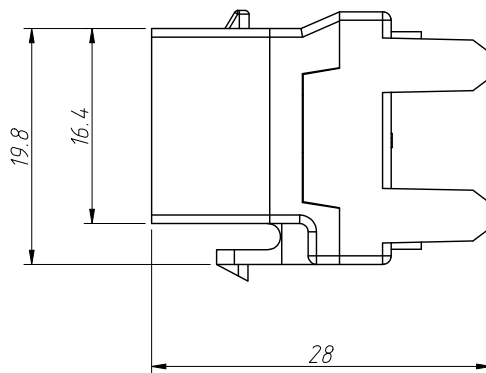
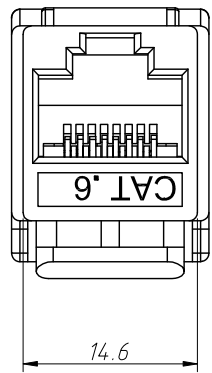
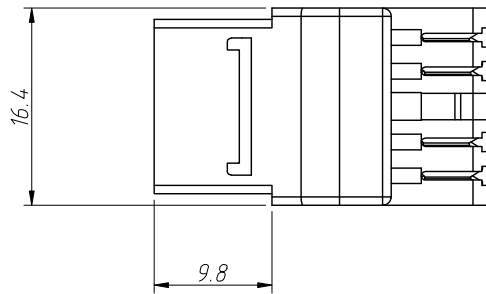


1
RoHS Compliance



Notes:
 1.Material
 Housing:PC
 Insert:ABS
 PCB:FR-4 T=1.6mm
 Contact:Phosphor Bronze Stamp Pin
 T=0.30mm
 IDC Contact:Phosphor Bronze
 T=0.50mm Tin Plating
 RJ45 Jack Life:750 Times Min
 IDC Life:200 Times Min
 Wire:AWG 22~24

2.Electrical:
 Voltage Rating:125 VAC RMS
 Current Rating:1.5 AMP
 Contact Resistance:100mΩ Max
 Insulation Resistance:
 1000 MΩ Min @ 500V DC
 Dielectric Strength:
 750 VAC RMS 60HZ 1Min

3.Environmental:
 Storage:-40°C ~ +85°C
 Operation TEMP.:0°C ~ 70°C
 Conform To TIA/EIA 568B Category 6 UTP

ANGLE TOLERANCE	PROJECTION	Description:		
±2°		CAT6 UTP 8P8C Keystone Jacks		
GENERAL TOLERANCE	UNITS	mm	KLS P/N:	L-KLS12-DK6C002-8P8C
x.x ±0.30	SHEET SIZE	A4	XX	NingBo KLS ELECTRONIC CO.,L TD.
x.xx ±0.10	Draw:	Daniel	2023-06-14	
x.xxx ±0.05	Check:	Daniel	2023-06-14	