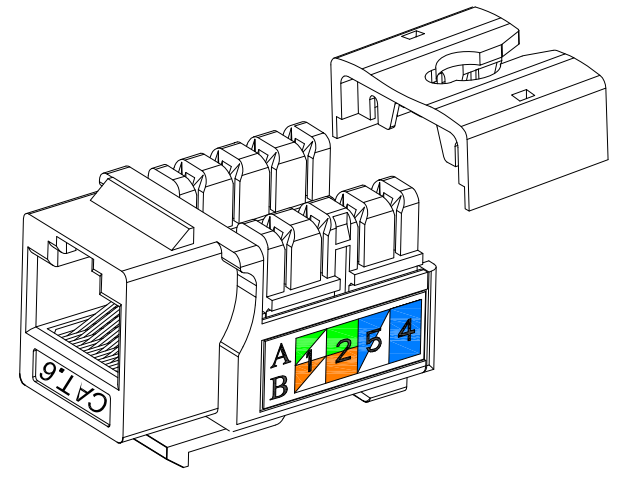
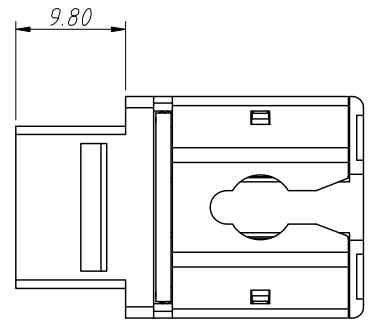
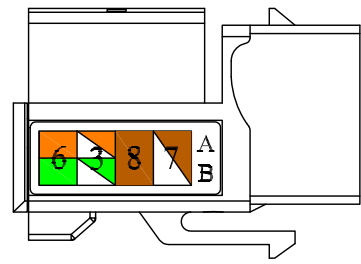
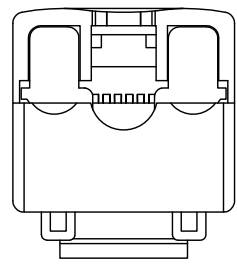
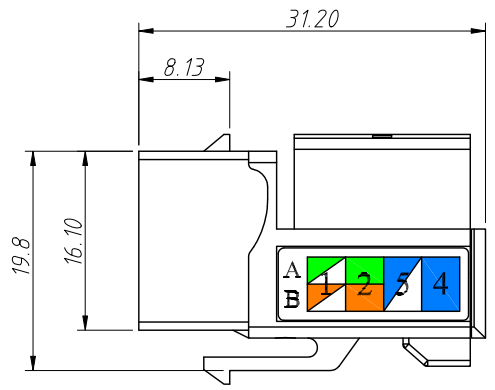
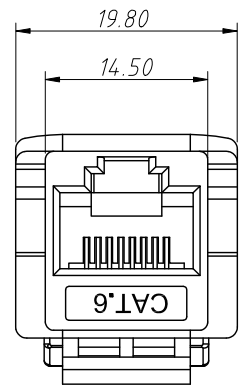


1  
RoHS Compliance

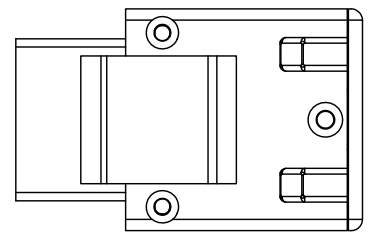


Notes:  
 1.Material  
 Housing:PC  
 Insert:ABS  
 PCB:FR-4 T=1.6mm  
 Contact:Phosphor Bronze Stamp Pin  
 T=0.30mm  
 IDC Contact:Phosphor Bronze  
 T=0.50mm Tin Plating  
 RJ45 Jack Life:750 Times Min  
 IDC Life:200 Times Min  
 Wire:AWG 22~24



2.Electrical:  
 Voltage Rating:125 VAC RMS  
 Current Rating:1.5 AMP  
 Contact Resistance:100mΩ Max  
 Insulation Resistance:  
 1000 MΩ Min @ 500V DC  
 Dielectric Strength:  
 750 VAC RMS 60HZ 1Min

3.Environmental:  
 Storage:-40°C ~ +85°C  
 Operation TEMP. :0°C ~ 70°C  
 Conform To TIA/EIA 568B CAT6



ANGLE TOLERANCE	PROJECTION	Description:		
±2°		CAT6 UTP 8P8C Keystone Jacks		
GENERAL TOLERANCE	UNITS	mm	KLS P/N:	L-KLS12-DK6C001-8P8C
x.x ±0.30	SHEET SIZE	A4	XX	
x.xx ±0.10	Draw:	Daniel	2023-06-14	
x.xxx ±0.05	Check:	Daniel	2023-06-14	

NingBo KLS ELECTRONIC CO.,L TD.