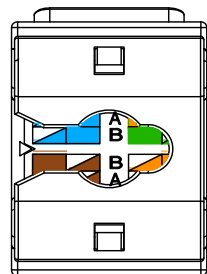
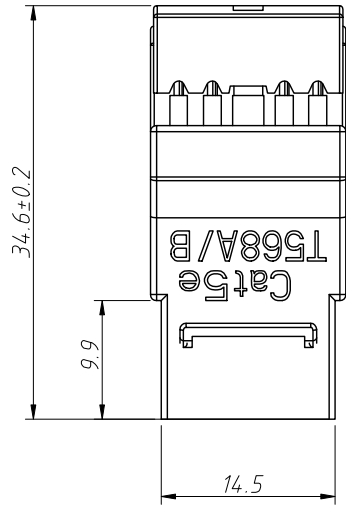
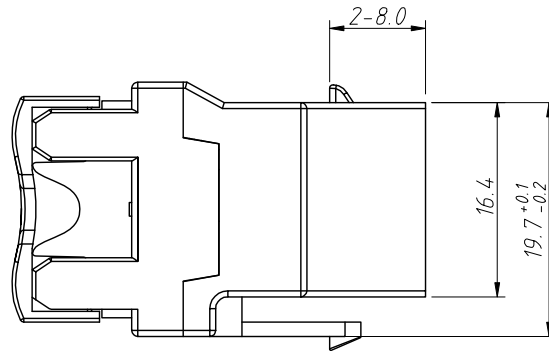
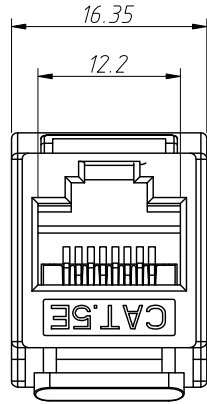


1
RoHS Compliance



Notes:

1.Material:

Housing:PC,UL 94V-2

Contact:Phosphor Bronze,Gold Plated

2.Electric:

Suitable Wire Diameter: $\phi 0.35 \sim 0.65\text{mm}$

Contact Resistance: $20\text{m}\Omega$ Max

Insulation Resistance: $500\text{M}\Omega$ Min

Withstand Voltage Strength:

DC1000 V (AC700 V) For 1 Minute Without Breakdown Or Arcing Phenomenon

Electrical Transmission Performance:

In Accordance With ANSI/TIA 568C CAT5E

ANGLE TOLERANCE	PROJECTION	Description:		
$\pm 3^\circ$		CAT5E UTP 8P8C Keystone Jacks		
GENERAL TOLERANCE		UNITS	mm	KLS P/N: L-KLS12-DK8805-8P8C
xx ± 0.2	SHEET SIZE	A4	XX	
x.x ± 0.12	Draw:	Daniel	2023-06-14	
x.xx ± 0.08	Check:	Daniel	2023-06-14	

KLS NingBo KLS ELECTRONIC CO.,L TD.