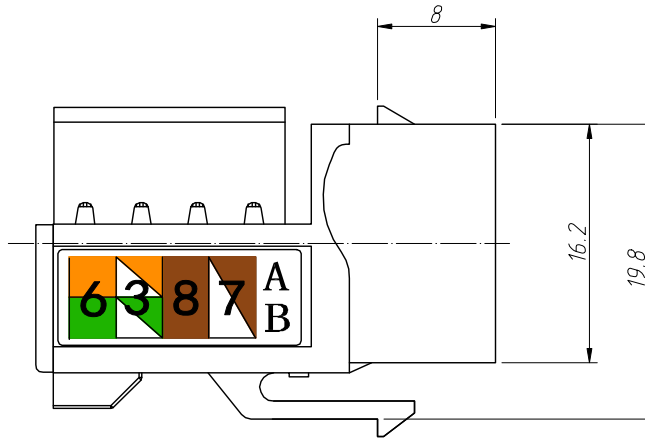
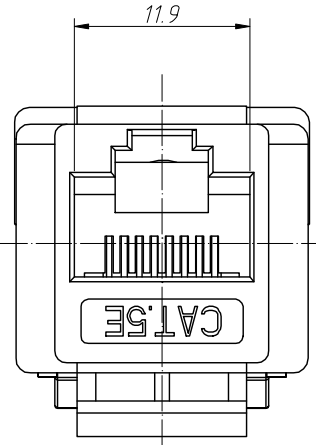
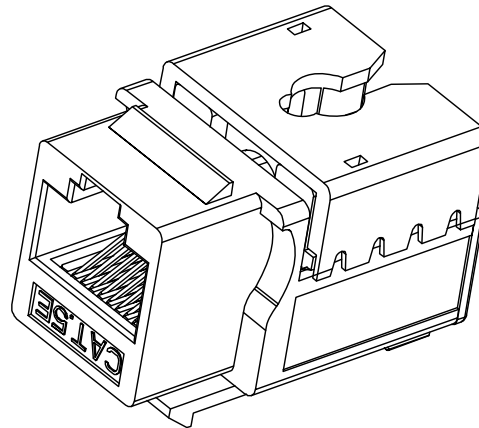
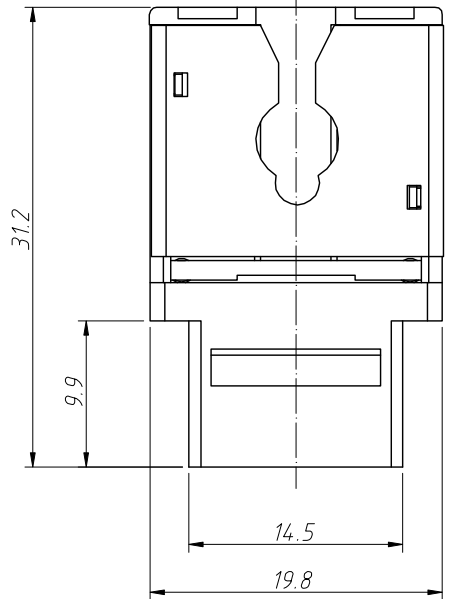


1
RoHS Compliance



Notes:
1.Material:
Housing:PC,UL 94V-2
Contact:Phosphor Bronze,Gold Plated

2.Electric:
Suitable Wire Diameter:φ0.35~0.65mm
Contact Resistance:20mΩ Max
Insulation Resistance:1000MΩ Min
Withstand Voltage Strength:
DC1000 V (AC700 V) For 1 Minute Without
Breakdown Or Arcing Phenomenon
Electrical Transmission Performance:
In Accordance With TIA/EIA 568B CAT5E



| | | | | |
|-------------------|------------|-------------------------------|------------|---------------------------------|
| ANGLE TOLERANCE | PROJECTION | Description: | | |
| ±3° | | CAT5E UTP 8P8C Keystone Jacks | | |
| GENERAL TOLERANCE | | UNITS | mm | KLS P/N: |
| xx ±0.15 | SHEET SIZE | A4 | XX | L-KLS12-DK8803-8P8C |
| x.x ±0.09 | Draw: | Daniel | 2023-06-14 | NingBo KLS ELECTRONIC CO.,L TD. |
| x.xx ±0.06 | Check: | Daniel | 2023-06-14 | |