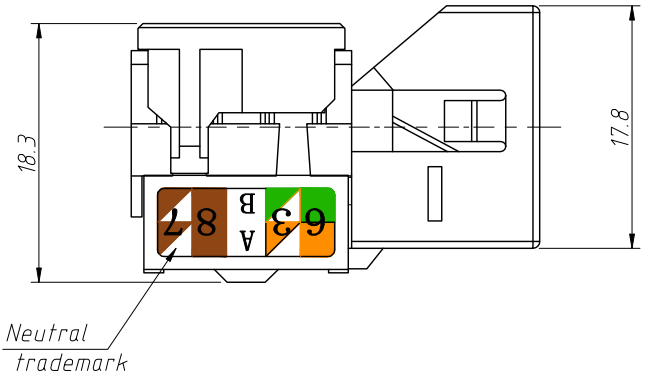
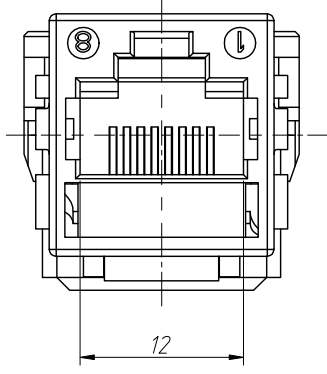
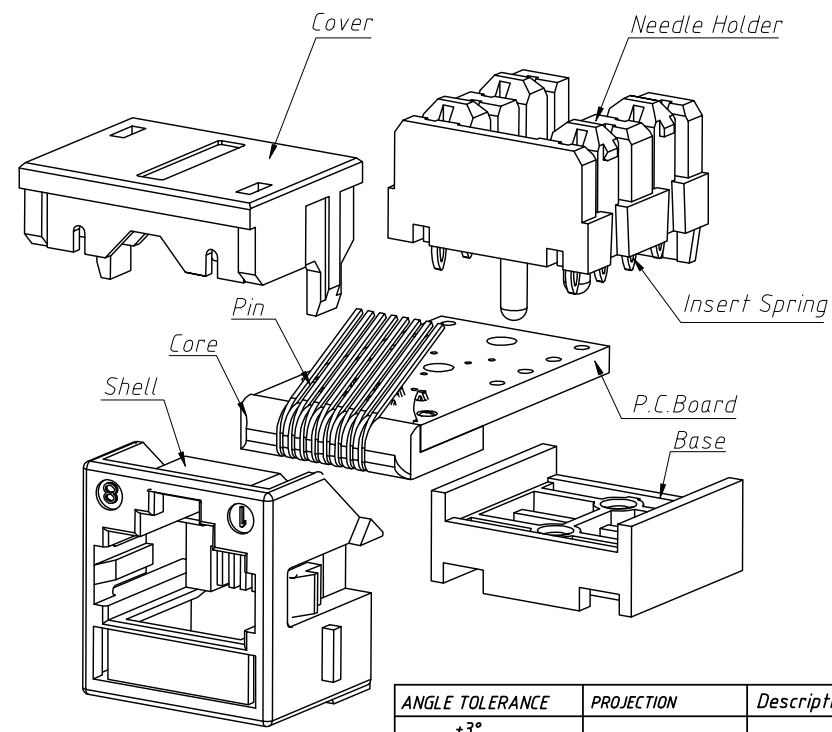
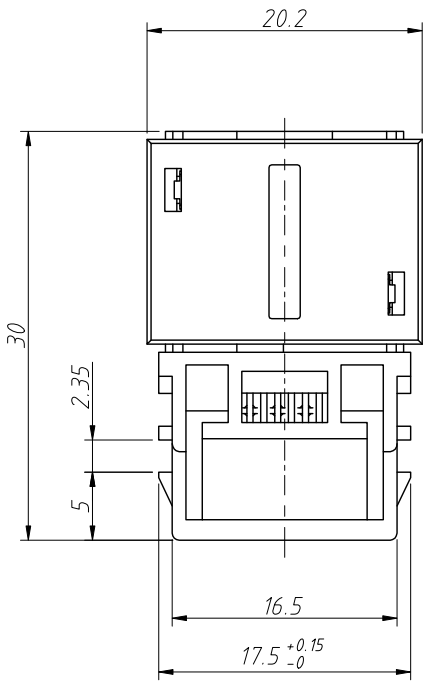


1
RoHS Compliance



Notes:
 1.Material:
 Housing:PC,UL 94V-2
 Contact:Phosphor Bronze,Gold Plated
 2.Electric:
 Suitable Wire Diameter:φ0.35~0.65mm
 Contact Resistance:20mΩ Max
 Insulation Resistance:500MΩ Min
 Withstand Voltage Strength:
 DC1000 V (AC700 V) For 1 Minute Without
 Breakdown Or Arcing Phenomenon
 Electrical Transmission Performance:
 In Accordance With ANSI/TIA 568C CAT5E



ANGLE TOLERANCE	PROJECTION	Description:	
±3°		CAT5E UTP 8P8C Keystone Jacks	
GENERAL TOLERANCE			
xx ±0.15	UNITS	mm	KLS P/N: L-KLS12-DK8302-8P8C
x ±0.12	SHEET SIZE	A4	XX
x.x ±0.09	Draw:	Daniel	2023-06-14
x.xx ±0.06	Check:	Daniel	2023-06-14

