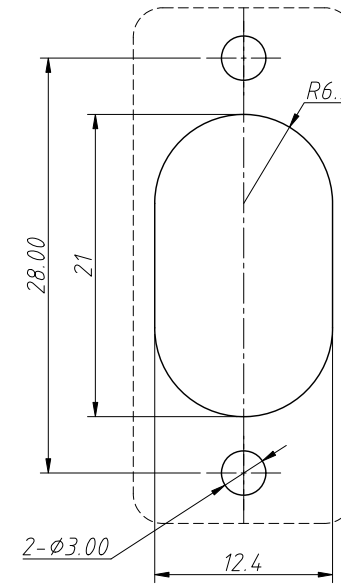
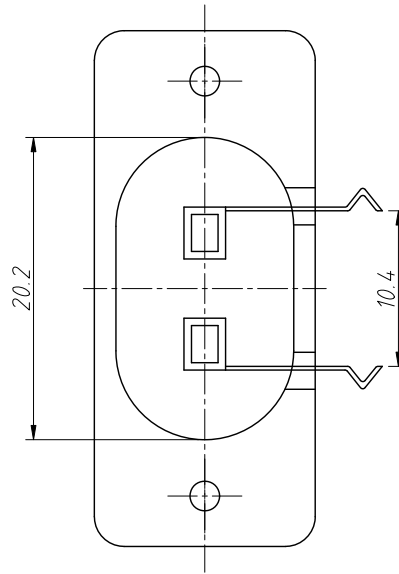
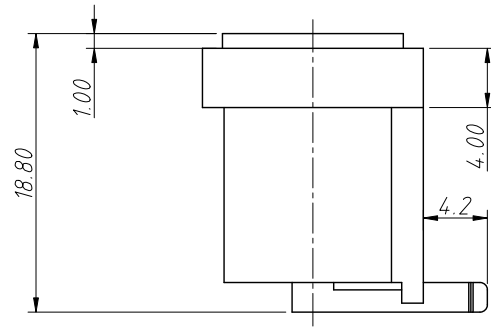
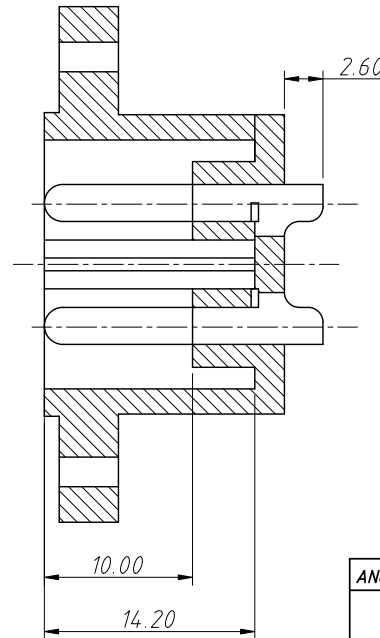
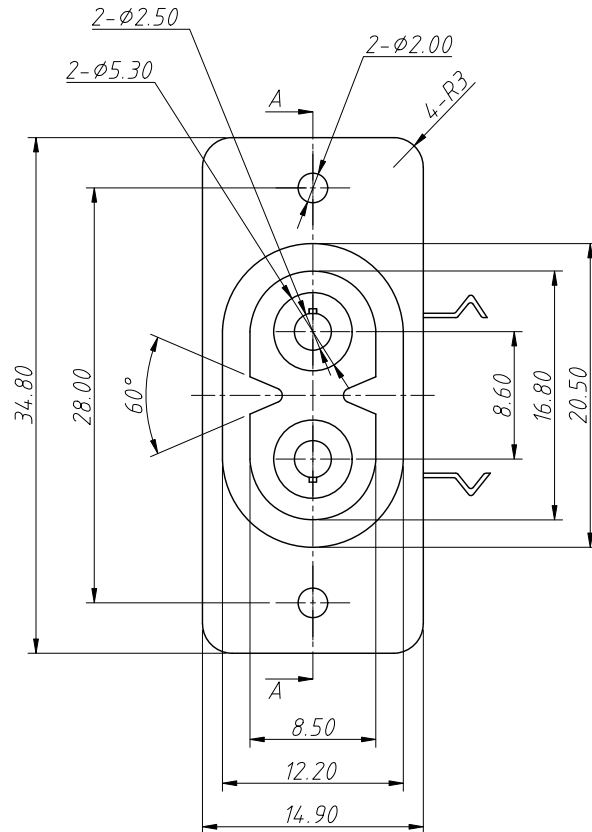


RoHS Compliance



PANEL CUT-OUT



Section A-A

Notes:

1. Dielectric Strength:
AC3000V-60Sec. Between Poles
2. Insulation Resistance:
Between Poles By DC500V Min 1000MΩ
3. Contact Resistance:
Attached To Power Connect Or Max 50mΩ at 10A
4. Heat Resistance: 100±5°C for 1hr
5. Forming Strength Of Conact And Body:
Static Load Of 10 Pounds/60sec
6. Strenq Thof Scrwb Ounting:
Rotational Toro Ue Of 8kg/cm.5Sec
7. Imract Test: 0.5kg 1 Times According To uii950
8. Rating: 250V AC 10A(2.5A)

ANGLE TOLERANCE	PROJECTION	Description:	CAT5E UTP 8P8C Keystone Jacks	
±3°				
GENERAL TOLERANCE	UNITS	mm	KLS P/N:	L-KLS12-DK8101-8P8C
x.x ±0.20	SHEET SIZE	A4	XX	
x.xx ±0.10	Draw:	Daniel	2023-06-14	
x.xxx ±0.05	Check:	Daniel	2023-06-14	

NingBo KLS ELECTRONIC CO.,L TD.