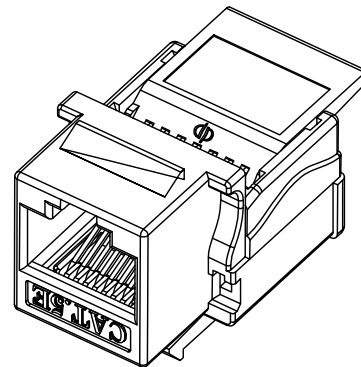
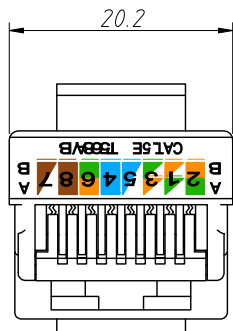
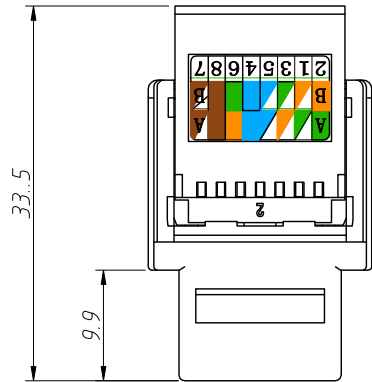
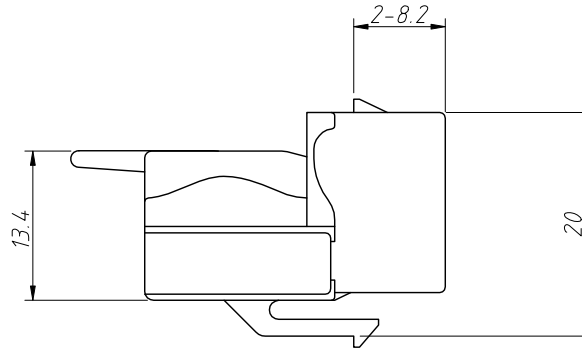
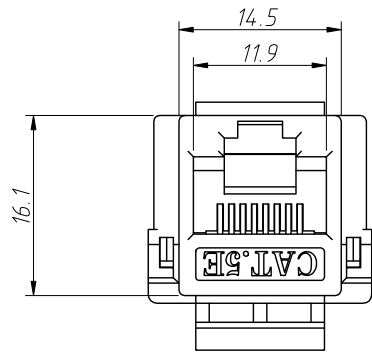


1  
RoHS Compliance



Notes:

1.Material:

Housing:PC,UL 94 V-2

Contact:Phosphor Bronze,Gold Plated

2.Electric:

Suitable Wire Diameter:  $\phi 0.35 \sim 0.65\text{mm}$

Contact Resistance:  $20\text{m}\Omega$  Max

Insulation Resistance:  $500\text{M}\Omega$  Min

Withstand Voltage Strength:

DC1000 V (AC700 V) For 1 Minute Without

Breakdown Or Arcing Phenomenon

Electrical Transmission Performance:

In Accordance With ANSI/TIA 568C CAT5E

Salt Spray Test: 24h Min

ANGLE TOLERANCE	PROJECTION	Description:		CAT5E UTP 8P8C Keystone Jacks
$\pm 3^\circ$				
GENERAL TOLERANCE		UNITS	mm	KLS P/N: L-KLS12-DK8031-8P8C
xx $\pm 0.2$		SHEET SIZE	A4	NingBo KLS ELECTRONIC CO.,L TD.
x $\pm 0.16$		Draw:	Daniel 2023-06-14	
x.x $\pm 0.12$		Check:	Daniel 2023-06-14	
x.xx $\pm 0.08$				