

1
RoHS Compliance

2

3

4

5

6

7

8

A

A

B

B

C

C

D

D

E

E

F

F

G

G

H

H

Notes:

1.Material:

Housing:PC,UL 94 V-2

Contact:Phosphor Bronze,Gold Plated

2.Electric:

Contact Resistance:2.5mΩ Max

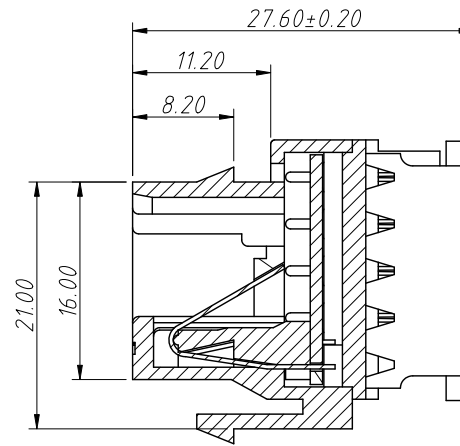
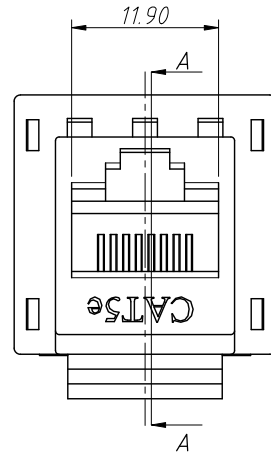
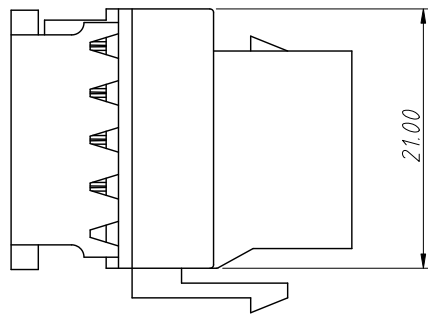
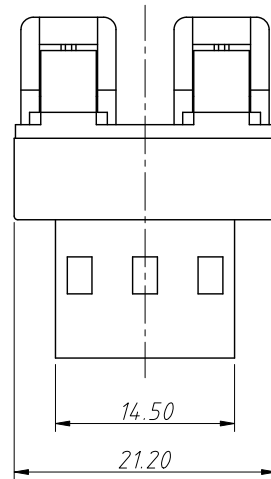
Insulation Resistance:1000MΩ Min

Withstand Voltage Strength:

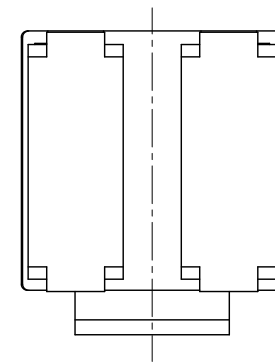
DC500 V (AC350 V) For 1 Minute Without
Breakdown Or Arcing Phenomenon

Electrical Transmission Performance:

In Accordance With TIA/EIA 568
CAT5E



Section A-A



ANGLE TOLERANCE	PROJECTION	Description:	CAT5E UTP 8P8C Keystone Jacks	
±3°				
GENERAL TOLERANCE	UNITS	mm	KLS P/N:	L-KLS12-DK8005-8P8C
x.x ±0.20	SHEET SIZE	A4	XX	
x.xx ±0.10	Draw:	Daniel	2023-06-13	NingBo KLS ELECTRONIC CO.,L TD.
x.xxx ±0.05	Check:	Daniel	2023-06-13	

1

2

3

4

5

6

7

8