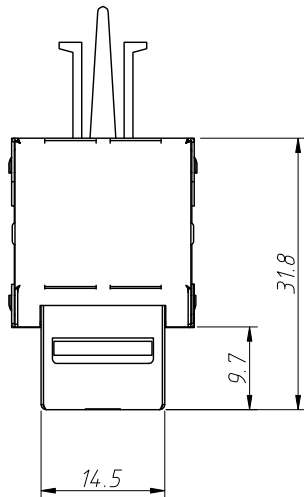
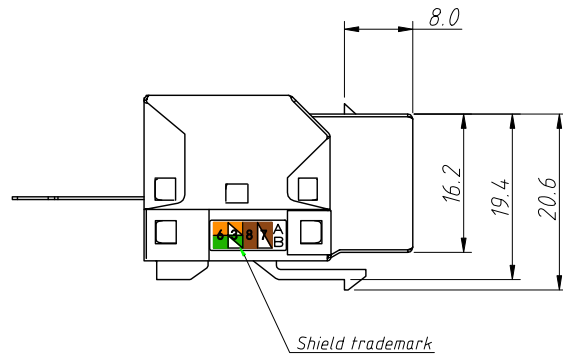
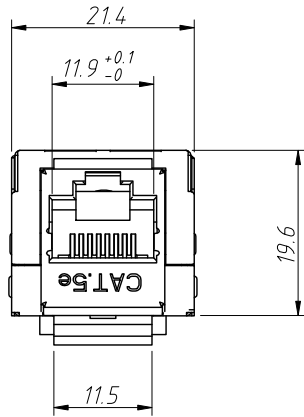


1 RoHS Compliance



Notes:

1.Material:

Housing:PC,UL 94 V-2

Contact:Phosphor Bronze,Gold Plated

2.Electric:

Suitable Wire Diameter:φ0.35~0.65mm

Contact Resistance:20mΩ Max

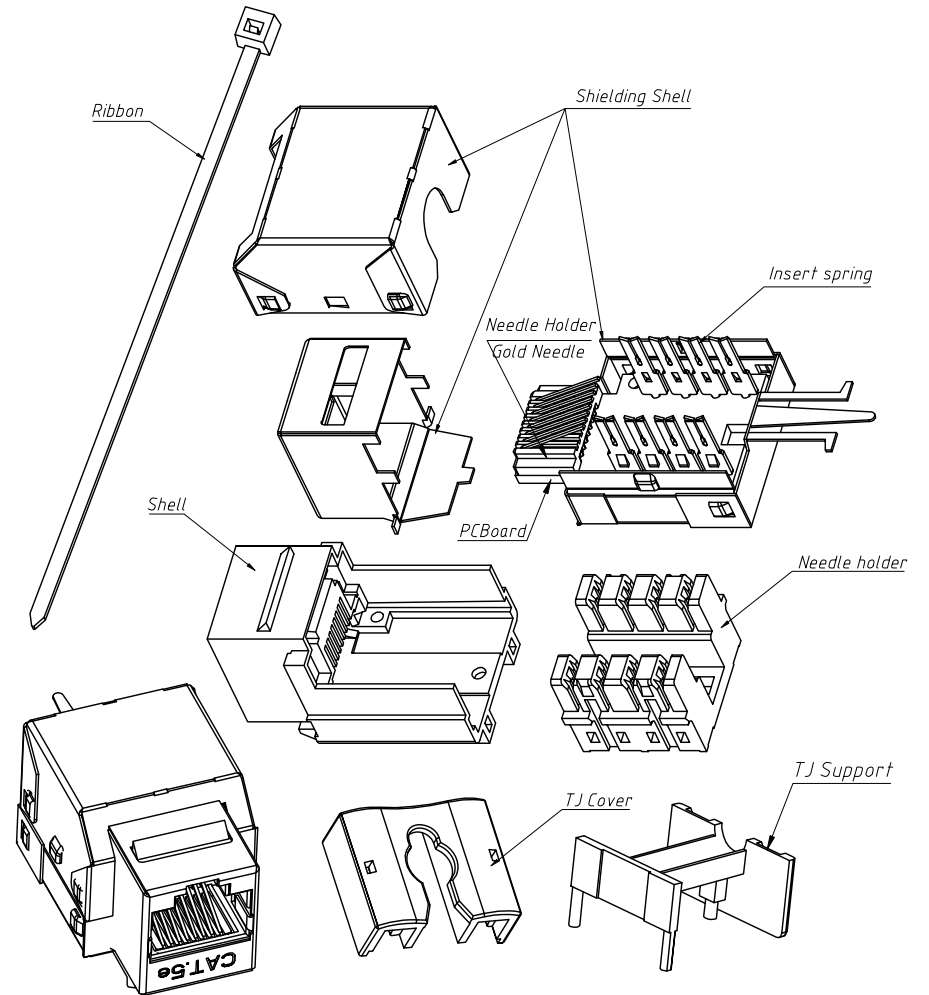
Insulation Resistance:1000MΩ Min

Withstand Voltage Strength:

DC1000 V (AC700 V) For 1 Minute Without Breakdown Or Arcing Phenomenon

Electrical Transmission Performance:

In Accordance With TIA/EIA 568B
CAT5E, YD/T 926.3-2009



ANGLE TOLERANCE	PROJECTION	Description:	CAT5E UTP 8P8C Keystone Jacks	
±3°				
GENERAL TOLERANCE				
xx ±0.15	UNITS	mm	KLS P/N:	L-KLS12-DK7005B-8P8C
x ±0.12	SHEET SIZE	A4	XX	NingBo KLS ELECTRONIC CO.,L TD.
x.x ±0.09	Draw:	Daniel	2023-06-13	
x.xx ±0.06	Check:	Daniel	2023-06-13	