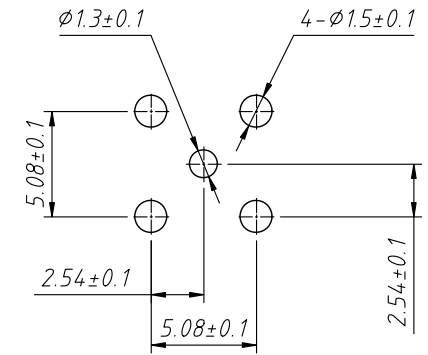
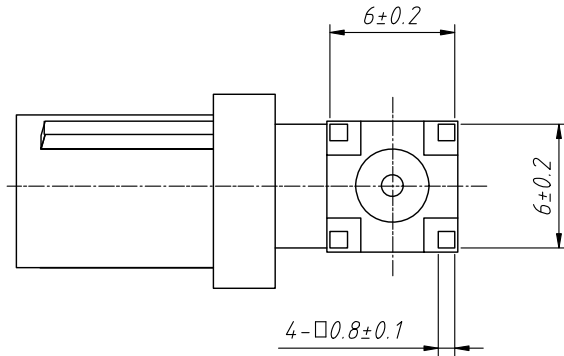
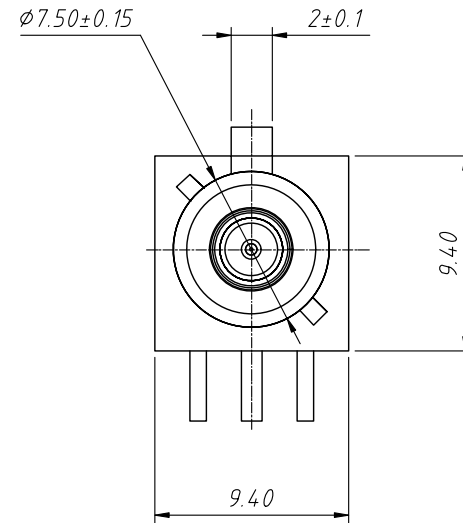
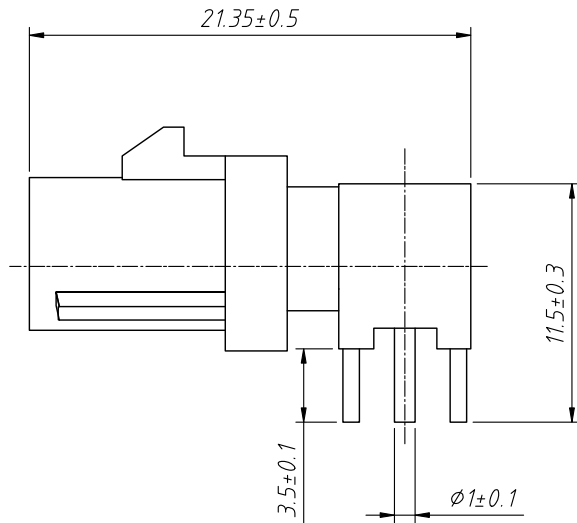
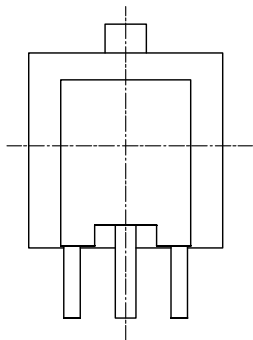


1  
RoHS Compliance



Recommended PCB Layout



Order Information

L-KLS1-FAKRA03-A-5005-1-G

RoHS

Card Slot Direction: A=Up

B=Down C=Left D=Right

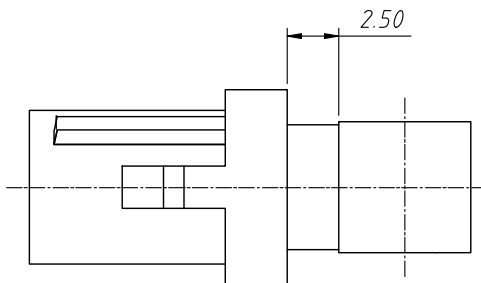
RAL:5005 Or

9001,9005,4004,6002,8011,7031,

4003,1001,1027,3002,2003,6019,5021

Size-1,2,3,4...

Plating:G-Gold plated N-Nickel plated



ANGLE TOLERANCE	PROJECTION	Description:		
$\pm 3^\circ$		Right angle plug Fakra connector		
GENERAL TOLERANCE	UNITS	mm	KLS P/N:	L-KLS1-FAKRA03-A-5005-1-G
x.x $\pm 0.30$	SHEET SIZE	A4	1 Of 2	NingBo KLS ELECTRONIC CO.,L TD.
x.xx $\pm 0.20$	Draw:	Daniel	2023-07-06	
x.xxx $\pm 0.10$	Check:	Daniel	2023-07-06	

1  
RoHS Compliance

Card slot direction	Color	RAL	Order Information
	Black	sim.9005	FAKRA03-A-9005-1-G
	White	sim.9001	FAKRA03-A-9001-1-G
	Blue	sim.5005	FAKRA03-A-5005-1-G
	Purple	sim.4004	FAKRA03-A-4004-1-G
	Green	sim.6002	FAKRA03-A-6002-1-G
	Brown	sim.8011	FAKRA03-A-8011-1-G
	Grey	sim.7031	FAKRA03-A-7031-1-G
	Pink	sim.4003	FAKRA03-A-4003-1-G
	Beige	sim.1001	FAKRA03-A-1001-1-G
	Curry	sim.1027	FAKRA03-A-1027-1-G
	Carmine	sim.3002	FAKRA03-A-3002-1-G
	Pastelorange	sim.2003	FAKRA03-A-2003-1-G
	Pastel Green	sim.6019	FAKRA03-A-6019-1-G
	Waterblue	sim.5021	FAKRA03-A-5021-1-G

Material:  
 Insulator:PTFE  
 Interface Housing:PA66+30%GF,Blue  
 Core Pin:Brass,Gold Plating  
 Outer Housing:Brass,Nickel plating

Electrical:Impedance:50±5Ω  
 Frequency:DC to 9 GHz  
 Return loss:≥20dB, DC to ≤6GHz ; ≥12dB,>6GHz to ≤9 GHz  
 Insulation resistance:≥1000MΩ  
 Center contact resistance:≤15mΩ  
 Outer contact resistance:≤10mΩ  
 Test voltage:750V rms  
 Working voltage:335V rms  
 Power current:≤1A DC  
 Cross talk (optional):≤-60dB up to 10GHz

Mechanical data:  
 Mating cycles:≥25  
 Engagement force:≤45N  
 Disengagement force:≥5N  
 Retention force latch:≥110N  
 Coding efficiency:≥200N

Environmental data:  
 Temperature range:-40 to +85  
 Thermal shock:ISO 20860-2 clause 9.2  
 Temperature and humidity:ISO 20860-2 clause 9.3  
 Vibration and mechanical shock:ISO 20860-2 clause 9.1  
 Dry heat:ISO 20860-2 clause 9.4  
 Soldering profile:acc. to IEC 60068-2-58 Group 3 (250 / 30 s)

ANGLE TOLERANCE	PROJECTION	Description:	
±3°		Right angle plug Fakra connector	
GENERAL TOLERANCE	UNITS	mm	KLS P/N: L-KLS1-FAKRA03-A-5005-1-G
x.x ±0.30	SHEET SIZE	A4	2 Of 2
x.xx ±0.20	Draw:	Daniel	2023-07-06
x.xxx ±0.10	Check:	Daniel	2023-07-06

