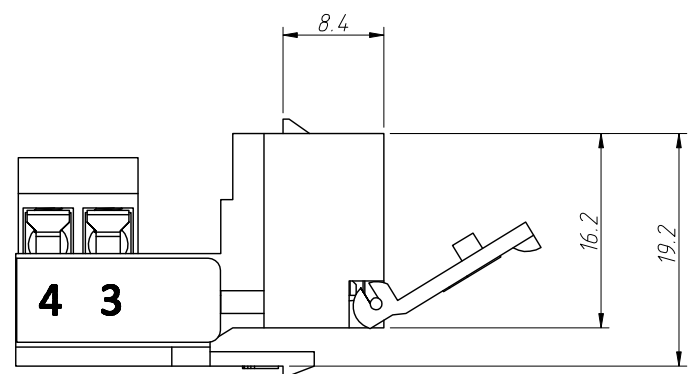
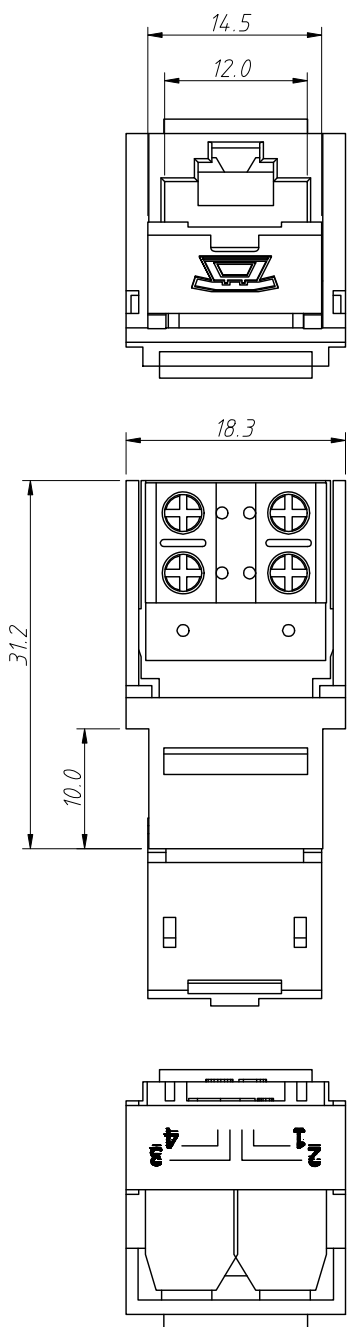


1
RoHS Compliance



Notes:
 1.Material:
 Housing:PC,UL 94 V-2
 Contact:Phosphor Bronze,Gold Plated
 2.Electric:
 Suitable Wire Diameter: $\varnothing 0.35 \sim 0.65\text{mm}$
 Contact Resistance: $20\text{m}\Omega$ Max
 Insulation Resistance: $1000\text{M}\Omega$ Min
 Withstand Voltage Strength:
 DC600 V (AC400 V) For 1 Minute Without
 Breakdown Or Arcing Phenomenon
 Electrical Transmission Performance:
 In Acance With ANSI/TIA 568C CAT3

ANGLE TOLERANCE	PROJECTION	Description:	CAT3 8P4C Keystone Jacks
$\pm 3^\circ$			
GENERAL TOLERANCE			L-KLS12-VK4009-8P4C
xx ± 0.2	UNITS	mm	NingBo KLS ELECTRONIC CO.,L TD.
x ± 0.16	SHEET SIZE	A4	
x.x ± 0.12	Draw:	Daniel 2023-06-12	
x.xx ± 0.08	Check:	Daniel 2023-06-12	