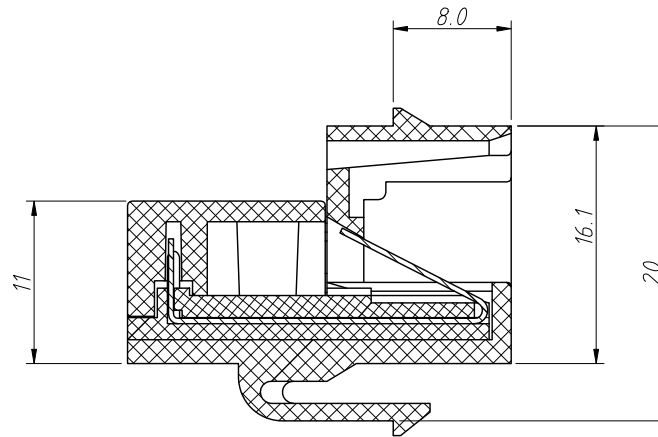
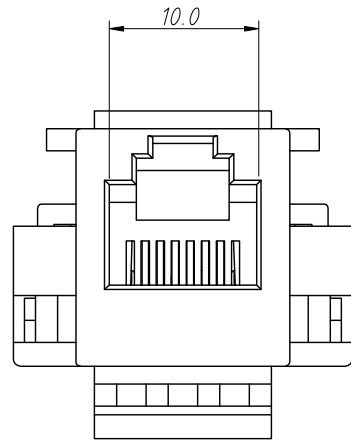


1  
RoHS Compliance



Notes:

1.Material:

Housing:PC,UL 94V-2

Contact:Phosphor Bronze,Gold Plated

2.Electric:

Suitable Wire Diameter: $\phi 0.35 \sim 0.65\text{mm}$

Contact Resistance: $20\text{m}\Omega$  Max

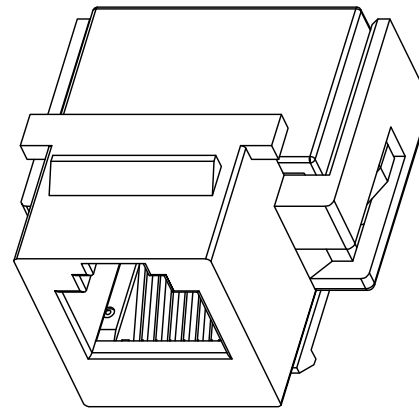
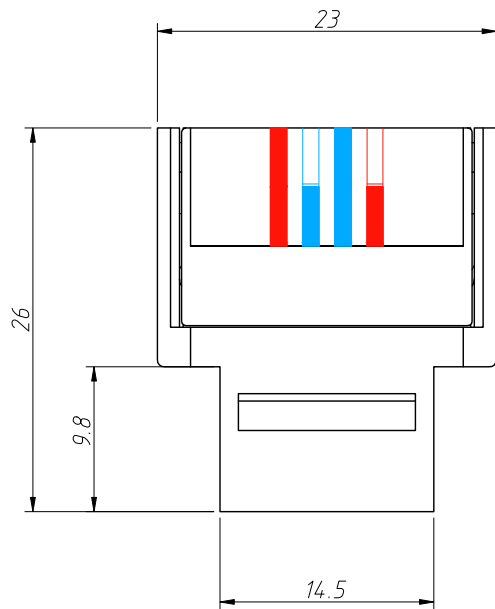
Insulation Resistance: $1000\text{M}\Omega$  Min

Withstand Voltage Strength:

DC600 V (AC400 V) For 1 Minute Without Breakdown Or Arcing Phenomenon

Electrical Transmission Performance:

In Accordance With ANSI/TIA 568C CAT3



|                   |                 |                          |        |            |
|-------------------|-----------------|--------------------------|--------|------------|
| ANGLE TOLERANCE   | PROJECTION      | Description:             |        |            |
| $\pm 3^\circ$     |                 | CAT3 8P4C Keystone Jacks |        |            |
| GENERAL TOLERANCE |                 | UNITS                    | mm     | KLS P/N:   |
| xx $\pm 0.2$      | x $\pm 0.16$    | SHEET SIZE               | A4     | XX         |
| x.x $\pm 0.12$    | x.xx $\pm 0.08$ | Draw:                    | Daniel | 2023-06-12 |
|                   |                 | Check:                   | Daniel | 2023-06-12 |



NingBo KLS ELECTRONIC CO.,L TD.