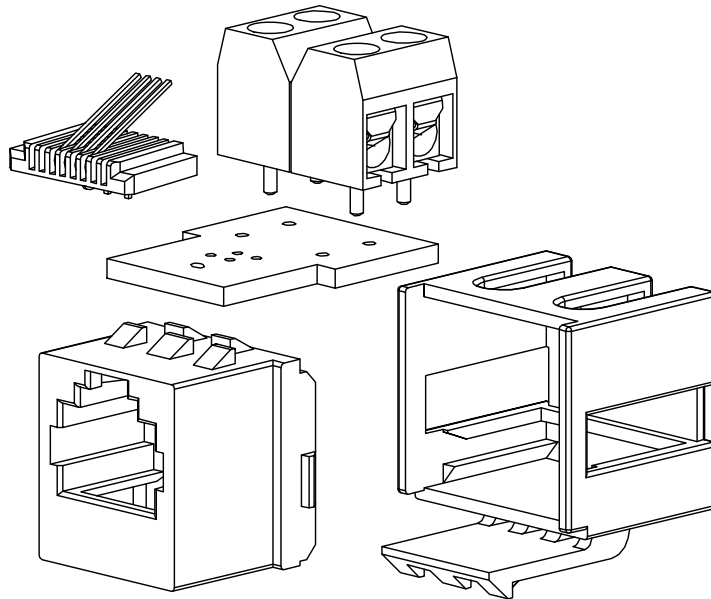
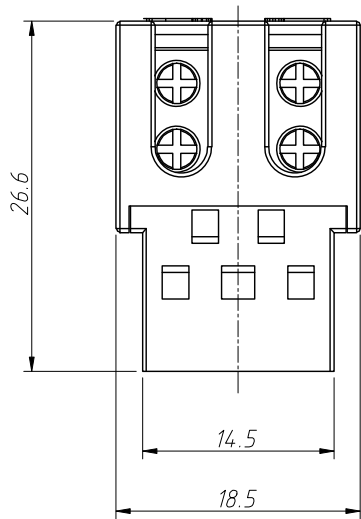
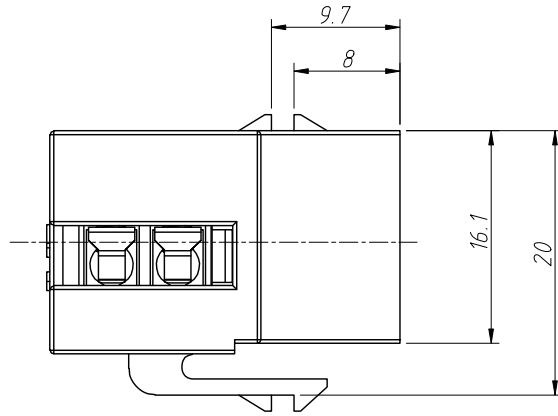
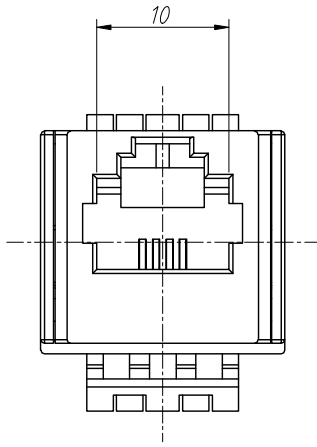


1  
RoHS Compliance



Notes:

1.Material:

Housing:PC,UL 94 V-2

Contact:Phosphor Bronze,Gold Plated

2.Electric:

Suitable Wire Diameter:φ0.35~0.65mm

Contact Resistance:20mΩ Max

Insulation Resistance:500MΩ Min

Withstand Voltage Strength:

DC600 V (AC400 V) For 1 Minute Without

Breakdown Or Arcing Phenomenon

Electrical Transmission Performance:

In Accordance With TIA/EIA 568B CAT3

ANGLE TOLERANCE	PROJECTION	Description:		
±3°		CAT3 8P4C Keystone Jacks		
GENERAL TOLERANCE		UNITS	mm	KLS P/N:
xx ±0.15	SHEET SIZE	A4	XX	L-KLS12-VK4007-8P4C
x.x ±0.09	Draw:	Daniel	2023-06-12	NingBo KLS ELECTRONIC CO.,L TD.
x.xx ±0.06	Check:	Daniel	2023-06-12	