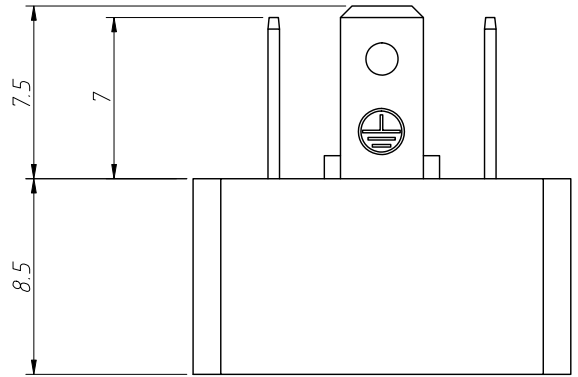
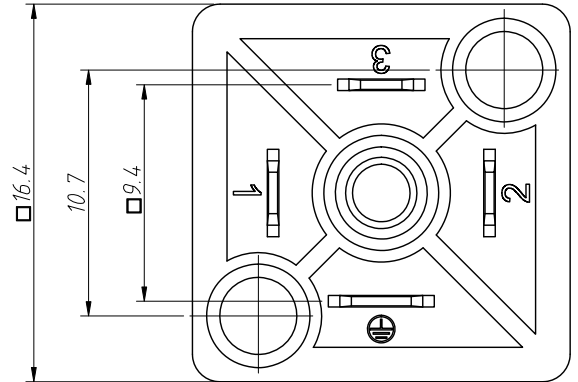


1
RoHS Compliance

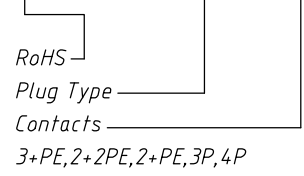


Notes:
 Standard: Industrial Standard
 Ambient Temperature: $-30^{\circ}\text{C} \sim +125^{\circ}\text{C}$
 Termination: Soldering
 Pin Dimensions: $4.6 \times 0.5\text{mm}$, $3.8 \times 0.5\text{mm}$
 Housing Color: Black
 Housing Material: PA+GF
 Contact: Brass With
 Tin Plated Or Nickel Plated
 Central Nut: Brass With Nickel Plated
 Rated Voltage: 250V AC/DC
 Rated Impulse voltage: 800V
 Rated Current: 6A
 Insulation Resistance: $\geq 100\text{M}\Omega$
 Contact Resistance: $\leq 4\text{m}\Omega$
 IP Rating: IP65 in locked condition



Order Information

L-KLS15-SVCB05-2+PE



Contacts	3+PE	2+2PE	2+PE
Certification	c us ECBT2.E364.453		
Pin layout(Male)			

ANGLE TOLERANCE	PROJECTION	Description:	Solenoid Valve Valve Plug, Base Conn Type C, Rectangular
$\pm 3^{\circ}$			
GENERAL TOLERANCE	UNITS	mm	KLS P/N: L-KLS15-SVCB05-2+PE
x.x ± 0.30	SHEET SIZE	A4	xx
x.xx ± 0.20	Draw:	Daniel	2023-06-27
x.xxx ± 0.10	Check:	Daniel	2023-06-27

