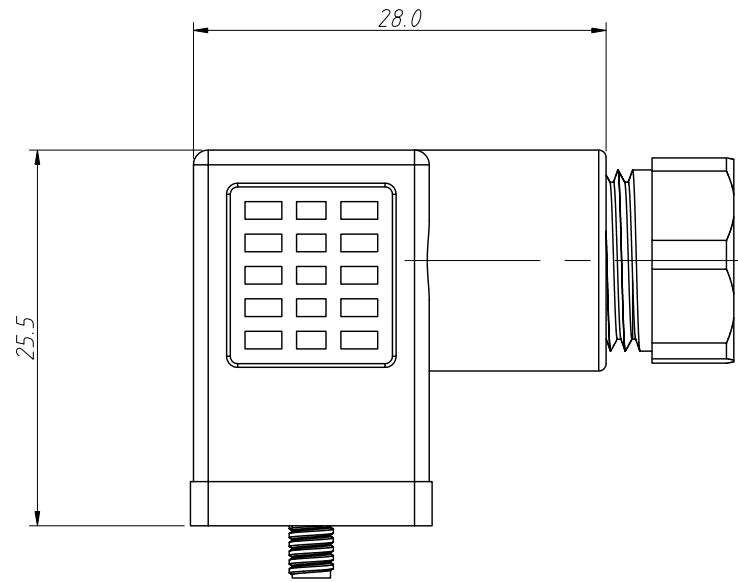
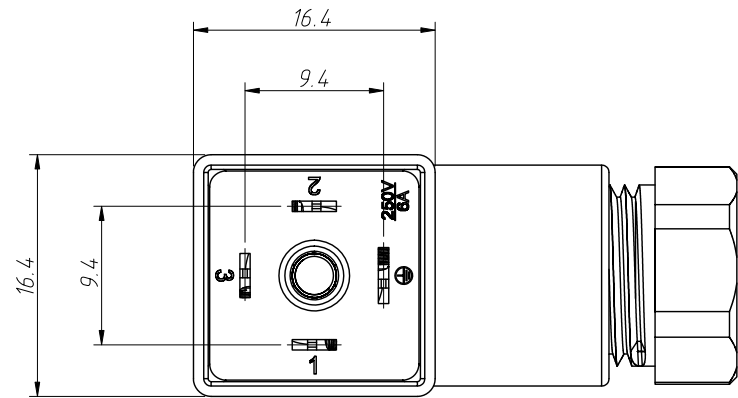


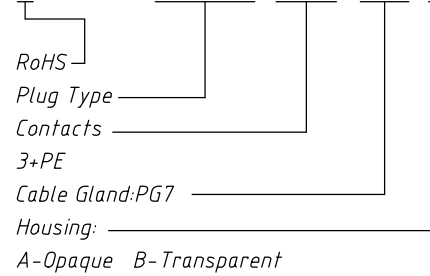
1
RoHS Compliance



Notes:
 Standard: Industrial Standard
 Ambient Temperature: $-30^{\circ}\text{C} \sim +125^{\circ}\text{C}$
 Termination: Screw
 Pin Dimensions: $4.6 \times 0.5\text{mm}$, $3.8 \times 0.5\text{mm}$
 Connector overmold: Black
 Contact Bearer Material: PA+GF
 Housing Material: PA+GF
 Contact: PS with silver plated
 Screw: Steel with Zn plated
 Seal: FKM/NBR
 Gasket: NBR
 Rated Voltage: 250V
 Rated Impulse voltage: 800V
 Rated Current: 6A
 Insulation Resistance: $\geq 100\text{M}\Omega$
 Contact Resistance: $\leq 4\text{m}\Omega$
 IP Rating: IP 65 in locked condition
 Cable Gland: PG7
 Suitable Cables (Dia): $4.0 \sim 6.0\text{mm}$
 Conductor Size: 0.5mm^2 Max

Order Information

L-KLS15-SVCP06-3+PE-PG7-A



Contacts	3+PE
Pin layout(Female)	

ANGLE TOLERANCE	PROJECTION	Description:	Solenoid Valve, Valve Plug, Type C, Female Field Wirable Assembly , PG7
$\pm 3^{\circ}$			
GENERAL TOLERANCE	UNITS	mm	L-KLS15-SVCP06-3+PE-PG7-A
x.x ± 0.30	SHEET SIZE	A4	
x.xx ± 0.20	Draw:	Daniel	2023-06-27
x.xxx ± 0.10	Check:	Daniel	2023-06-27

