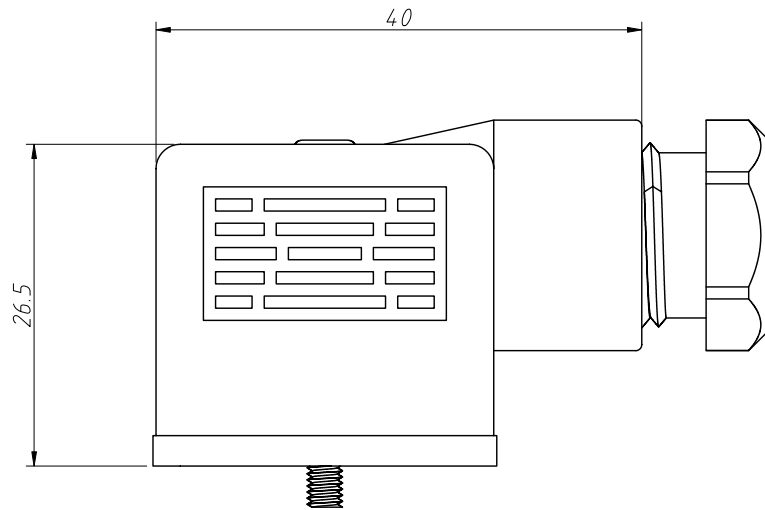
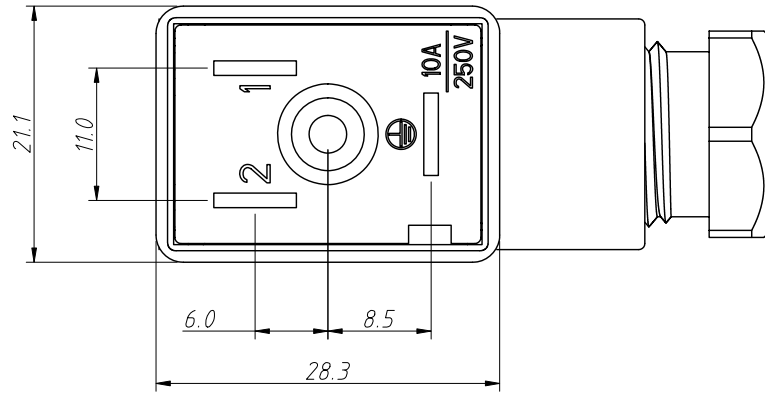


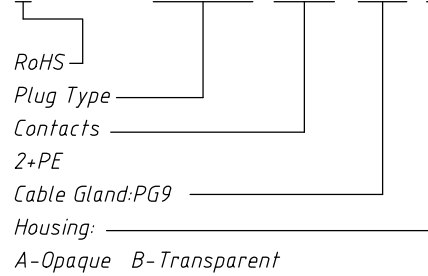
1  
RoHS Compliance



Notes:  
 Standard: Industrial Standard  
 Ambient Temperature:  $-30^{\circ}\text{C} \sim +125^{\circ}\text{C}$   
 Termination: Screw  
 Pin Dimensions:  $6.3 \times 0.8\text{mm}$ ,  $4.8 \times 0.8\text{mm}$   
 Connector overmold: Black  
 Contact Bearer Material: PA+GF  
 Housing Material: PA+GF  
 Contact: PS with silver plated  
 Screw: Steel with Zn plated  
 Seal: FKM/NBR  
 Gasket: NBR  
 Rated Voltage: 250V  
 Rated Impulse voltage: 4000V  
 Rated Current: 10A  
 Insulation Resistance:  $\geq 100\text{M}\Omega$   
 Contact Resistance:  $\leq 4\text{m}\Omega$   
 IP Rating: IP 65 in locked condition  
 Cable Gland: PG9  
 Suitable Cables (Dia):  $4.5 \sim 7.0\text{mm}$   
 Conductor Size:  $1.5\text{mm}^2$  Max

Order Information

L-KLS15-SVCP04-2+PE-PG9-A



Contacts	2+PE
Certification	ECBT2.E364453
Pin layout (Female)	

ANGLE TOLERANCE	PROJECTION	Description:	Solenoid Valve, Valve Plug, Type B, Female Field Wirable Assembly, PG9
$\pm 3^{\circ}$			
GENERAL TOLERANCE	UNITS	mm	KLS P/N: L-KLS15-SVCP04-2+PE-PG9-A
x.x $\pm 0.30$	SHEET SIZE	A4	xx
x.xx $\pm 0.20$	Draw:	Daniel	2023-06-27
x.xxx $\pm 0.10$	Check:	Daniel	2023-06-27

