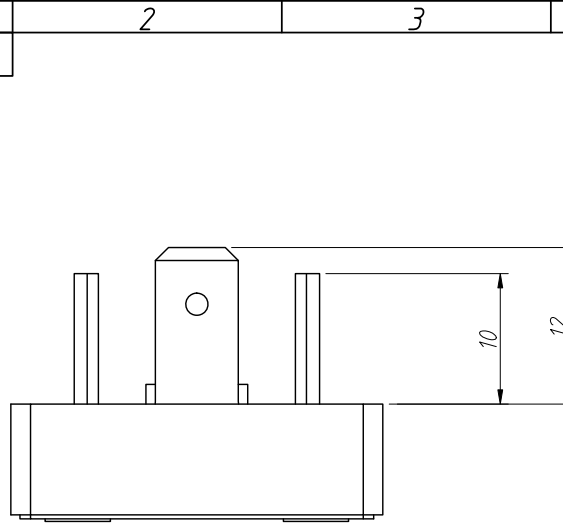
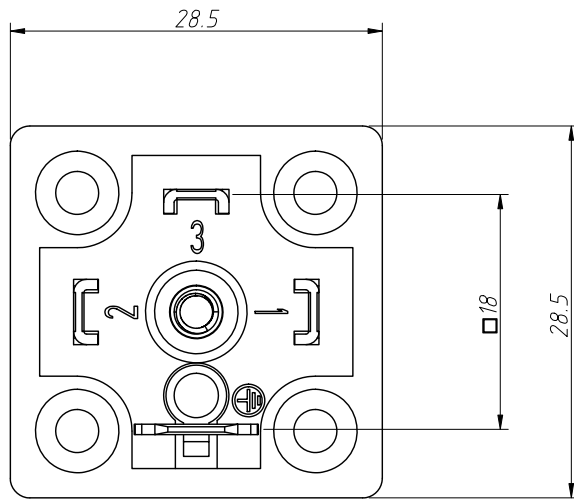


1
RoHS Compliance



Notes:
 Standard: DIN EN 175 301-803-A
 Ambient Temperature: -30°C ~ +125°C
 Termination: Soldering
 Pin Dimensions: 6.3x0.8mm, 4.8x0.8mm
 Housing Color: Black
 Housing Material: PA+GF
 Contact: Brass With
 Tin Plated Or Nickel Plated
 Central Nut: Brass With Nickel Plated
 Rated Voltage: 400V
 Rated Impulse voltage: 4000V
 Rated Current: 16A
 Insulation Resistance: ≥100MΩ
 Contact Resistance: ≤4mΩ
 IP Rating: IP65 in locked condition



Order Information
 L-KLS15-SVCB03-2+PE

RoHS
 Plug Type
 Contacts
 3+PE, 2+2PE, 2+PE, 3P, 4P

Contacts	3+PE	2+2PE	2+PE	3P	4P
Certification	cRU ^{us} ECBT2.E364453				
Pin layout (Male)					

ANGLE TOLERANCE	PROJECTION	Description:	Solenoid Valve
±3°			Valve Plug, Base Conn, Type A, Rectangular
GENERAL TOLERANCE	UNITS	mm	KLS P/N: L-KLS15-SVCB03-2+PE
x.x ±0.30	SHEET SIZE	A4	xx
x.xx ±0.20	Draw:	Daniel	2023-06-27
x.xxx ±0.10	Check:	Daniel	2023-06-27

