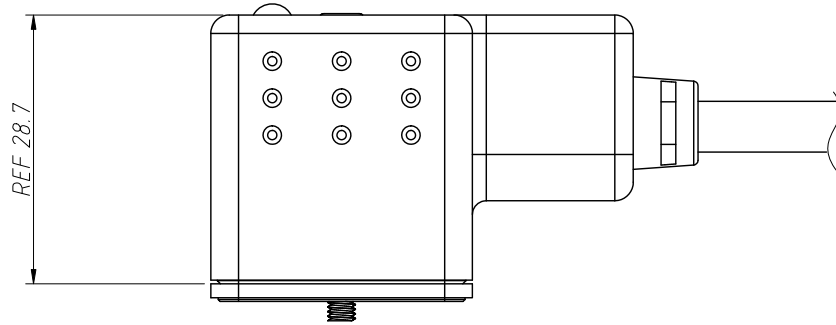
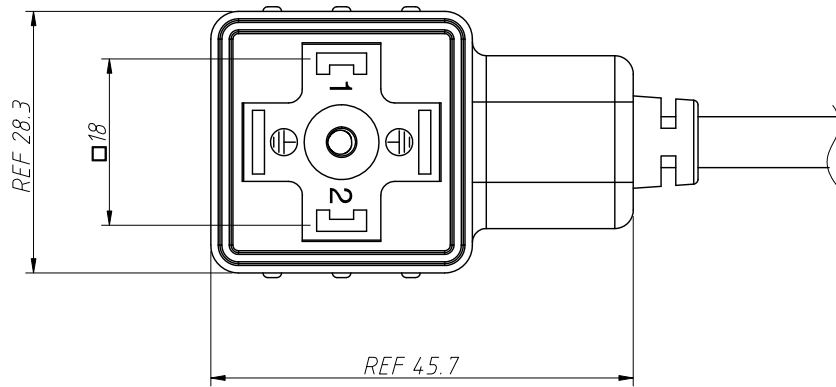


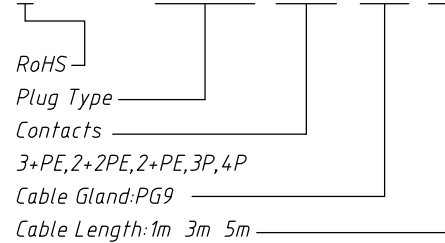
1
RoHS Compliance



Notes:
 Standard: DIN EN 175 301-803-A
 Ambient Temperature:
 Flexible Installation: -25°C ~ +85°C
 Fixed Installation: -40°C ~ +85°C
 Termination: Soldering
 Pin Dimensions: 6.3x0.8mm, 4.8x0.8mm
 Connector Overmold: TPU
 Contact Bearer Material: PA+GF
 Housing Material: PC
 Contact: PS with Silver Plated
 Screw: Steel With Zn Plated
 Seal: FKM
 Gasket: TPU/NBR
 Rated Voltage: 24V/250V
 Rated Impulse Voltage: 800V/4000V
 Rated Current: 8A/10A
 Insulation Resistance: ≥100MΩ
 Contact Resistance: ≤4mΩ
 IP Rating: IP67 In Locked Condition
 Cable Type: PVC Or PUR Cable
 Conductor Size: 1.5mm² Max

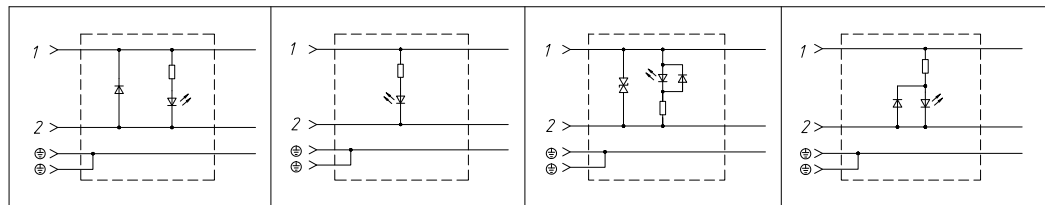
Order Information

L-KLS15-SVCP03-2+PE-PG9-L1M



Contacts	3+PE	2+2PE	2+PE	3P	4P
Certification	cRU ^{us} ECBT2.E364453				
Pin layout(Female)					

Normal Circuit Diagram



ANGLE TOLERANCE	PROJECTION	Description:	Solenoid Valve, Valve Plug, Type A, Female Field Wirable Assembly, PG9 / PG11
±3°			
GENERAL TOLERANCE	UNITS	mm	KLS P/N:
x.x ±0.30	SHEET SIZE	A4	xx
x.xx ±0.20	Draw:	Daniel	2023-06-27
x.xxx ±0.10	Check:	Daniel	2023-06-27