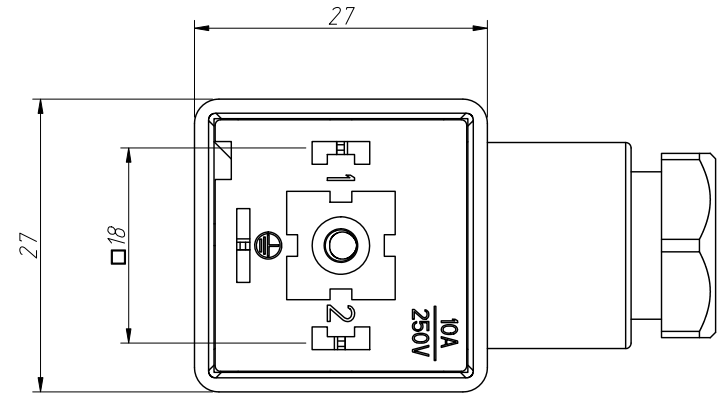
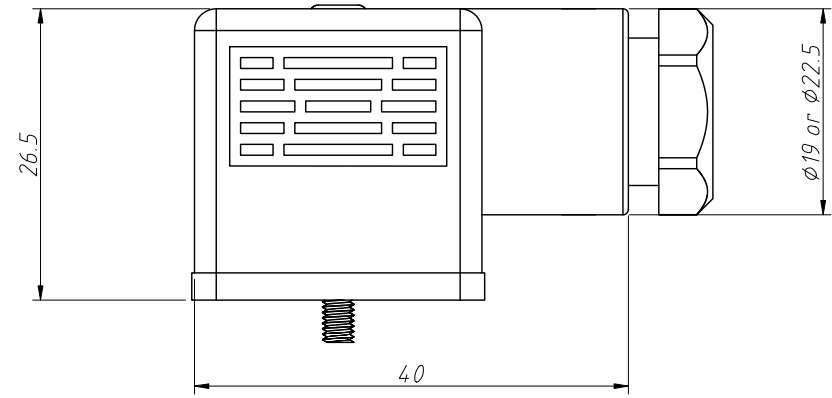


1 RoHS Compliance



Notes:  
 Standard: DIN EN 175 301-803-A  
 Ambient Temperature: -25°C ~ +90°C  
 Termination: Screw  
 Pin Dimensions: 6.3x0.8mm, 4.8x0.8mm  
 Housing Color: Transparent  
 Contact Bearer Material: PA+GF  
 Housing Material: PC  
 Contact: PS with silver plated  
 Screw: Steel with Zn plated  
 Seal: FKM/NBR  
 Gasket: NBR  
 Rated Voltage: 24V  
 Rated Impulse voltage: 800V  
 Rated Current: 8A  
 Insulation Resistance: ≥100MΩ  
 Contact Resistance: ≤4mΩ  
 IP Rating: IP 65 in locked condition  
 Cable Gland: PG9 / PG11  
 Suitable Cables (Dia): 4.5 ~ 6.0mm / 6.0 ~ 9.0mm  
 Conductor Size: 1.5mm<sup>2</sup> Max



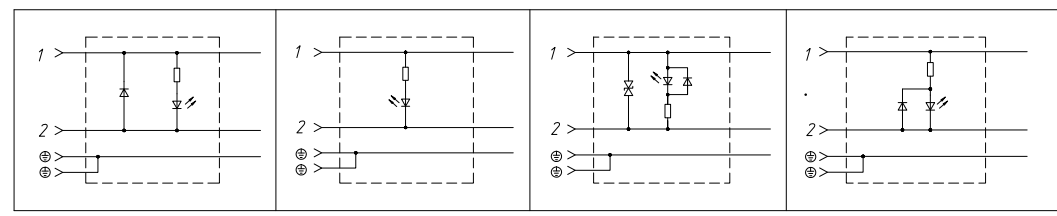
Order Information

L-KLS15-SVCP02-2+PE-PG9



Contacts	3+PE	2+2PE	2+PE	3P	4P
Certification	ECBT2.E364453				
Pin layout (Female)					

Normal Circuit Diagram



ANGLE TOLERANCE	PROJECTION	Description:	Solenoid Valve, Valve Plug, Type A, Female Field Wirable Assembly, PG9 / PG11
±3°			
GENERAL TOLERANCE	UNITS	mm	KLS P/N:
x.x ±0.30	SHEET SIZE	A4	xx
x.xx ±0.20	Draw:	Daniel	2023-06-27
x.xxx ±0.10	Check:	Daniel	2023-06-27

