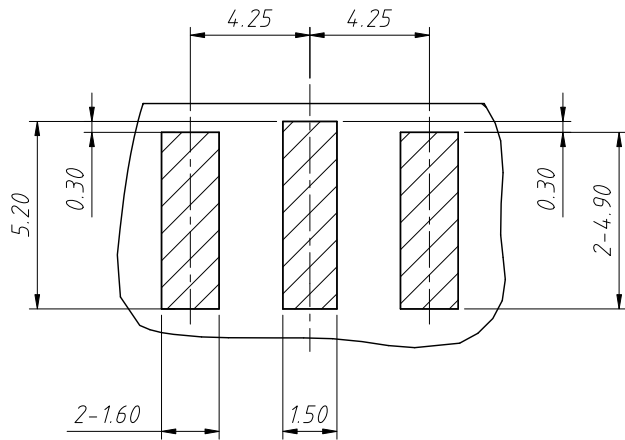
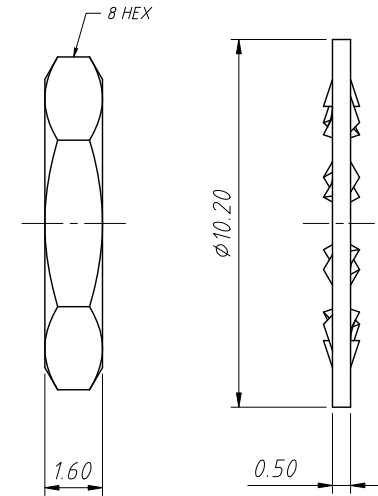
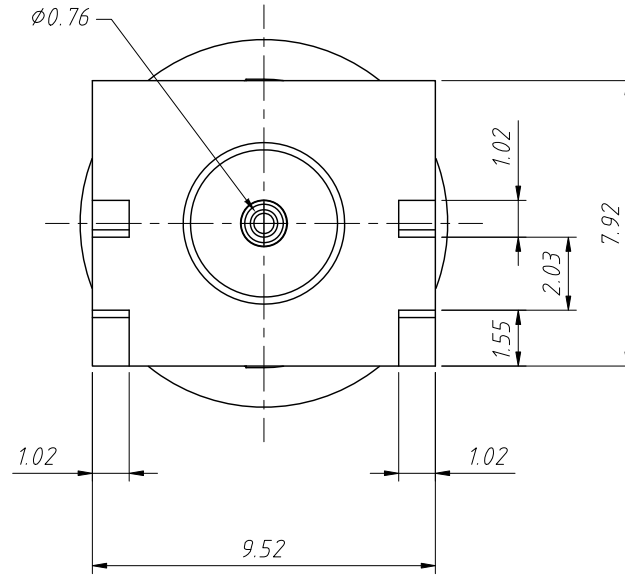
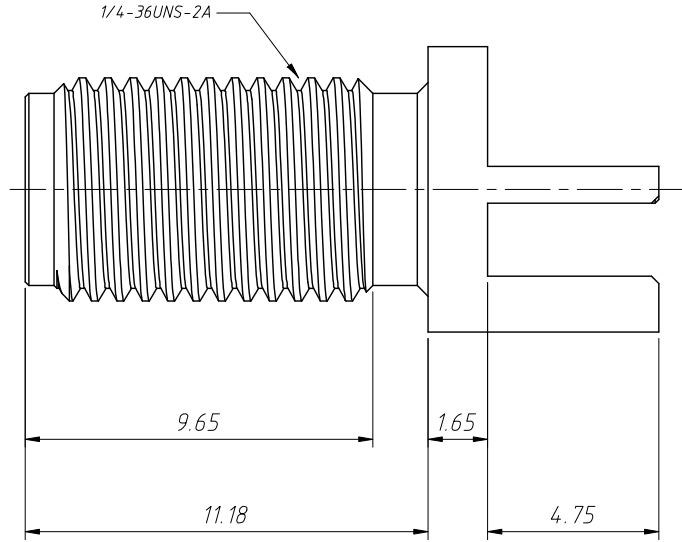
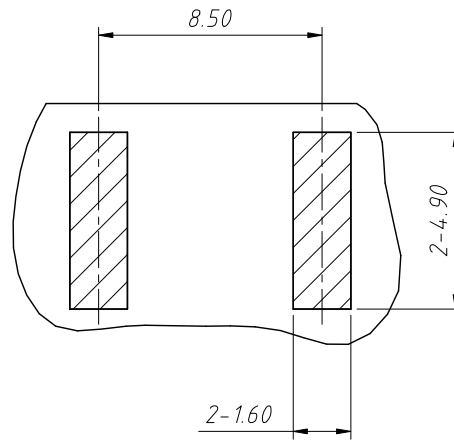


RoHS Compliance

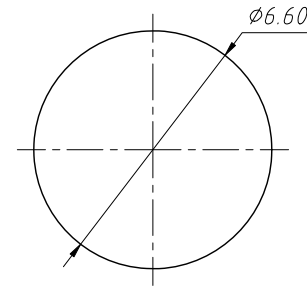


RECOMMENDED PCB LAYOUT

TOP VIEW



BOTTOM VIEW



Recommended Mounting Hole

Material:

- 1.Body:Brass,Gold Plating
- 2.Insulator:PTFE,Neutral
- 3.Contact Pin:Ber.Copper,Gold Plating
- 4.Hex Nut:Brass,Gold Plating
- 5.Lock Washer:Brass,Gold Plating

Electrical Specifications:

- 1.Impedance:50Ω
- 2.Durability:500 Cycles Min.
- 3.Temperature Range:- 65°C to +165°C
- 4.Max.Panel Thickness=3.18mm

ANGLE TOLERANCE	PROJECTION	Description:	RF Connector SMA PCB End Launch Jack Female 50Ω
±3°			
GENERAL TOLERANCE	UNITS	mm	KLS P/N: L-KLS1-SMA071
x.x ±0.30	SHEET SIZE	A4	
x.xx ±0.20	Draw:	Daniel	2020-11-11
x.xxx ±0.10	Check:	Daniel	2020-11-11



NingBo KLS ELECTRONIC CO.,L.TD.