

RoHS Compliance

Order Information

L-KLS12-313E-8P8C-2X6-3-G/Y-01

Point NO.

8P8C Point

Shielded

3-TOP EMI Shielded

Ports

LED

2x6-12 Ports G/Y-Green/Yellow

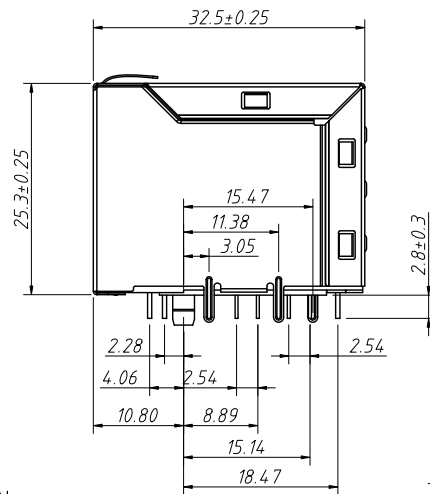
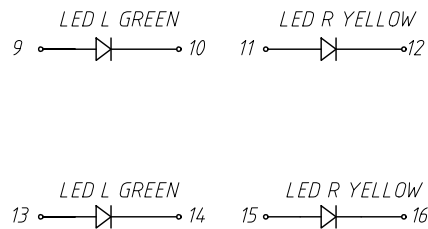
RoHS

Gold Thickness

01-Fu" 02-3u"

03-6u" 04-15u"

05-30u"



Notes:

1.Material:

Insert:UL 94 V-0

Contact: Diameter 0.46mm C51000(QSn4-0.3)

Phosphor Bronze Gold Plating Over Nickel

Shield:0.20mm Thickness H65Y Brass Nickel Plated

2.Electrical:

Voltage Rating:125 VAC

Current Rating:1.5A

Contact Resistance:30mΩ Max.

Insulation Resistance:500MΩ Min @500VDC

Dielectric Strength: 1000V AC 50Hz or 60Hz,1Min

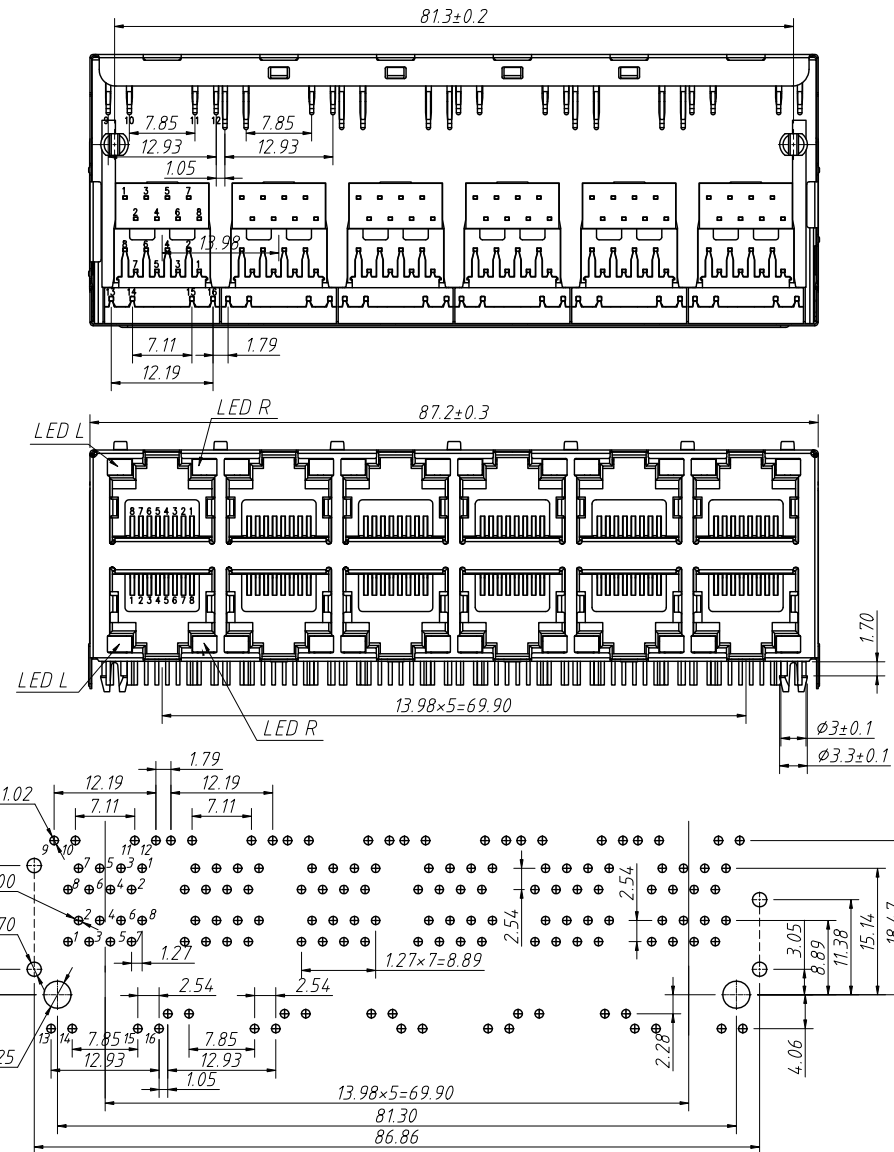
Mating/Unmating Force: 2.2KG.F Max

Retention Strength: 3.0KGF Min Between Jack And Plug

Operating Life:750 Cycles Min

Storage:-40°C ~ +85°C Relative Humidity<70%

Operation:-40°C ~ +85°C



Recommended PCB Layout

Tolerance:±0.05mm

ANGLE TOLERANCE	PROJECTION	Description:		
±3°		Modular Jacks,RJ45-8P8C Jack,2x6 With Shell,With LED		
GENERAL TOLERANCE	UNITS	mm	KLS P/N:	L-KLS12-313E-8P8C-2X6-3-G/Y-01
x.x ±0.25	SHEET SIZE	A4	XX	
x.xx ±0.20	Draw:	Daniel	2023-06-25	
x.xxx ±0.10	Check:	Daniel	2023-06-25	

NingBo KLS ELECTRONIC CO.,L TD.