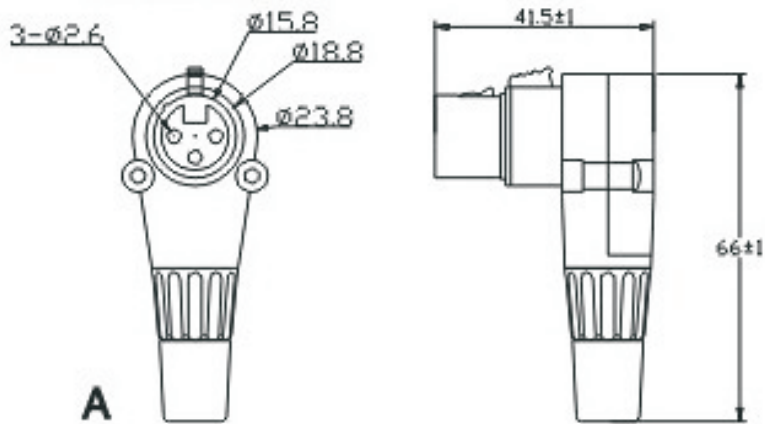


XLR CONNECTOR SERIES

KLS1-XLR-P03 (XLR Plug)

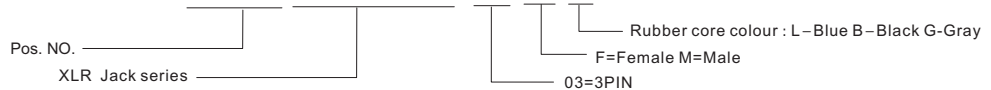
Electrical Specification:

- Number of contacts: 3
- Contact Resistance: ≤ 3 mOhms
- Insulation Resistance Initial: > 2 GOhms
- After Damp Heat Test: > 1 GOhms
- Dielectric Strength: 1500 V dc
- Rated current: 16 A
- Mechanical Lifetime: > 1000 cycles
- Insertion / Withdrawal Force: ≤ 20 N
- Cable O.D. Range: 4.0 mm - 8.0 mm
- Temperature Range: -30° C to $+ 80^{\circ}$ C



ORDER INFORMATION

Product NO.:KLS1-XLR-P03-03-F-B

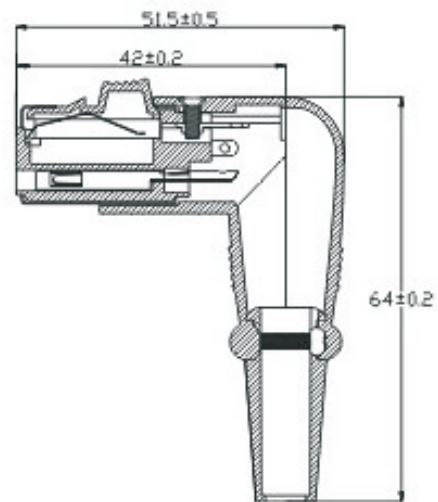
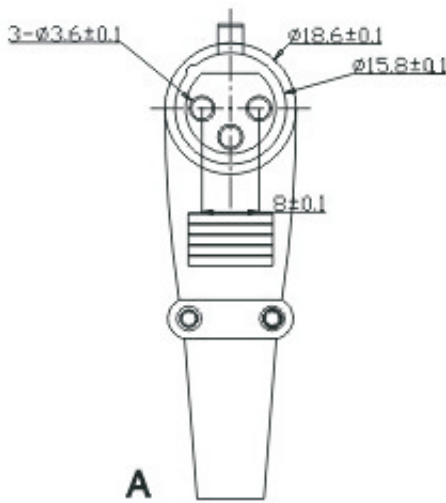


XLR CONNECTOR SERIES

KLS1-XLR-P03 (XLR Plug)

Electrical Specification:

- Number of contacts: 3
- Contact Resistance: ≤ 3 mOhms
- Insulation Resistance Initial: > 2 GOhms
- After Damp Heat Test: > 1 GOhms
- Dielectric Strength: 1500 V dc
- Rated current: 16 A
- Mechanical Lifetime: > 1000 cycles
- Insertion / Withdrawal Force: ≤ 20 N
- Cable O.D. Range: 4.0 mm - 8.0 mm
- Temperature Range: -30° C to $+ 80^{\circ}$ C



ORDER INFORMATION

Product NO.:KLS1-XLR-P03-03-M-B

