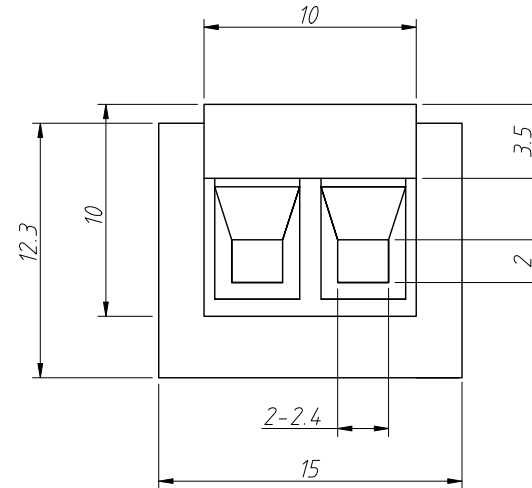
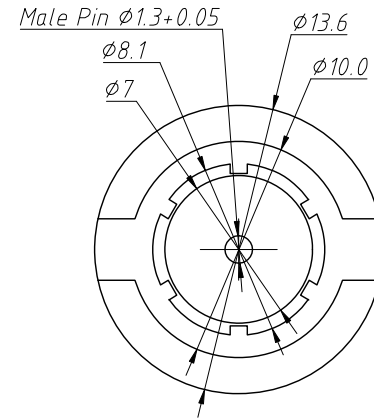
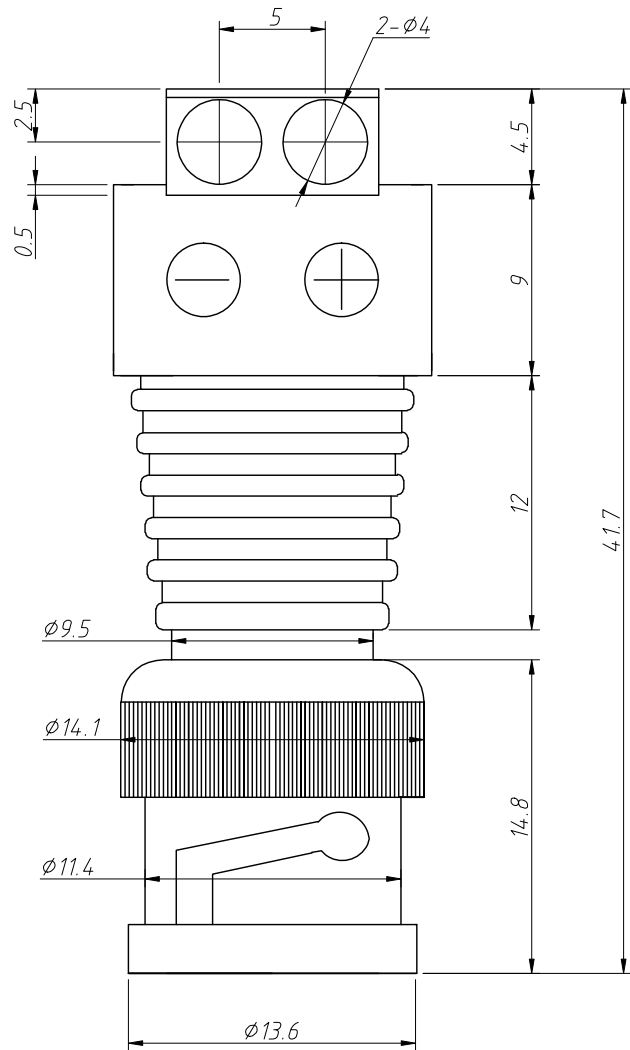


1
RoHS Compliance



Notes:
 BNC Grab Buckle: Zinc Alloy
 Vinyl: PVC
 Terminal: PA66
 Screw: Iron
 Inserts Flat: Iron
 Main Body: Zinc Alloy
 Male Pin: Brass
 Six Claw Insulator: ABS

| | | | | |
|-------------------|------------|--------|---------------------------------|---------------------------------|
| ANGLE TOLERANCE | PROJECTION | | Description: | |
| ±3° | | | DC Power Jack Adapter Connector | |
| GENERAL TOLERANCE | UNITS | mm | KLS P/N: | L-KLS2-DC-04 |
| x.x ±0.30 | SHEET SIZE | A4 | XX | NingBo KLS ELECTRONIC CO.,L TD. |
| x.xx ±0.20 | Draw: | Daniel | 2023-06-25 | |
| x.xxx ±0.10 | Check: | Daniel | 2023-06-25 | |