

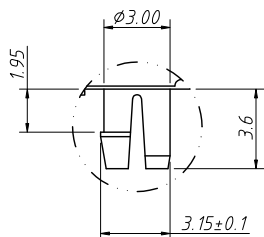
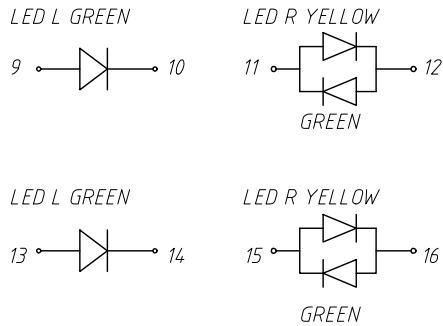
1 RoHS Compliance

Order Information

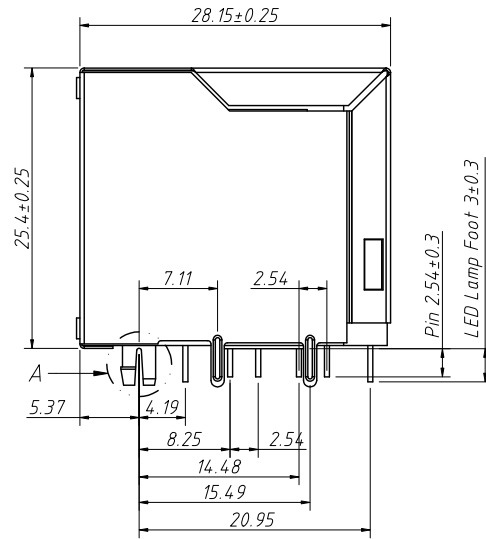
L-KLS12-313C-8P8C-2X4-1-G/YG-01

Point NO. 8P8C Point
 Shielded 1-With Shielded
 Ports 2x4-8 Ports
 LED G/YG-Green/Yellow(Green)
 RoHS

Gold Thickness
 01-Fu" 02-3u"
 03-6u" 04-15u"
 05-30u"



Detail A

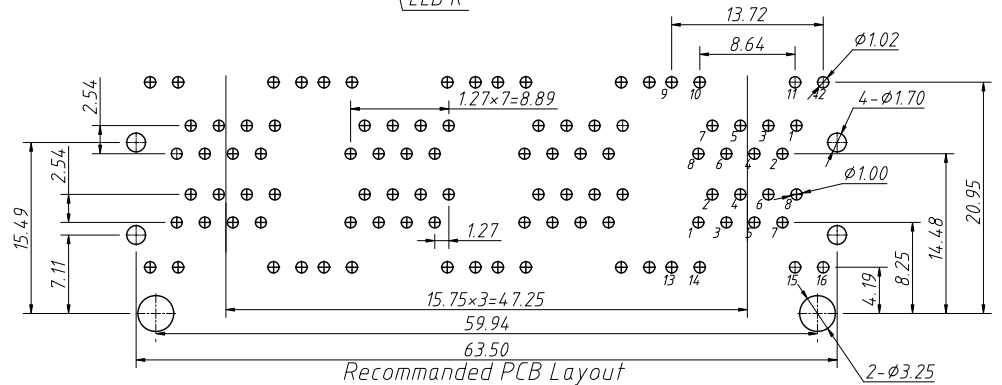
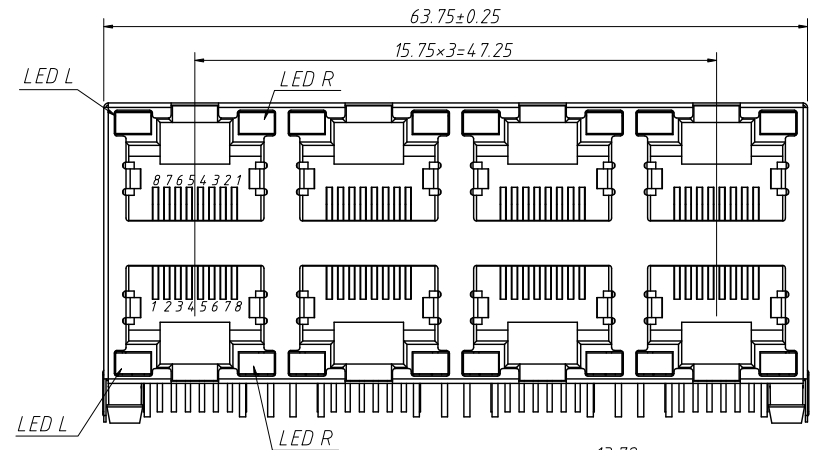
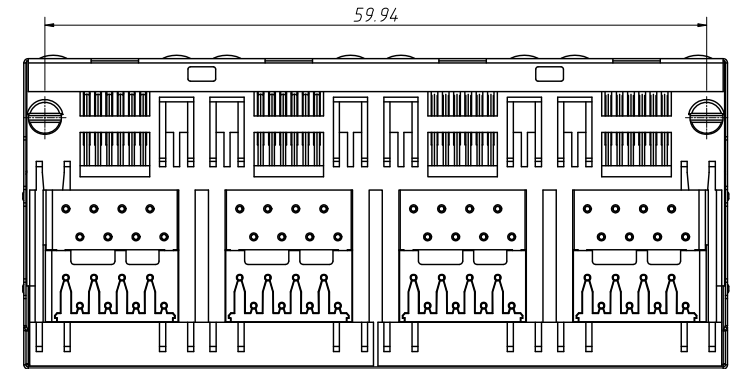


Notes:

1.Material:
 Insert:UL 94V-0
 Contact: Diameter 0.46mm C51000(QSn4-0.3)
 Phosphor Bronze Gold Plating Over Nickel
 Shield:0.20mm Thickness H65Y Brass Nickel Plated

2.Electrical:

Voltage Rating:125 VAC
 Current Rating:1.5A
 Contact Resistance:30mΩ Max.
 Insulation Resistance:500MΩ Min @500VDC
 Dielectric Strength: 1000V AC 50Hz or 60Hz,1Min
 Mating/Unmating Force: 2.2KG.F Max
 Retention Strength: 3.0KGF Min Between Jack And Plug
 Operating Life:750 Cycles Min
 Storage:-40°C ~ +85°C Relative Humidity< 70%
 Operation:-40°C ~ +85°C



Recommended PCB Layout

Tolerance:±0.05mm

ANGLE TOLERANCE	PROJECTION	Description:
±3°		Modular Jacks,RJ45-8P8C Jack,2x4 With Shell,With LED
GENERAL TOLERANCE	UNITS	mm
x.x ±0.25	SHEET SIZE	A4
x.xx ±0.20	Draw:	Daniel
x.xxx ±0.10	Check:	Daniel
KLS P/N:		L-KLS12-313C-8P8C-2X4-1-G/YG-01
Date:		2023-06-21
Checked:		2023-06-21



NingBo KLS ELECTRONIC CO.,L TD.