

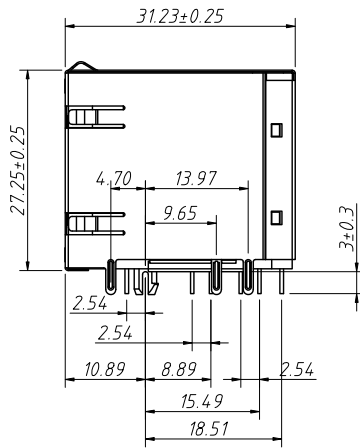
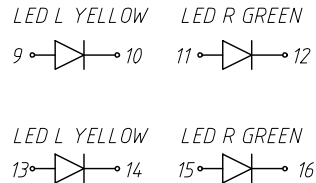
1 RoHS Compliance

Order Information

L-KLS12-313-8P8C-2X8-2-Y/G-01

Point NO. 8P8C Point Shielded 2-EMI Shielded Gold Thickness 01-Fu" 02-3u" 03-6u" 04-15u" 05-30u"

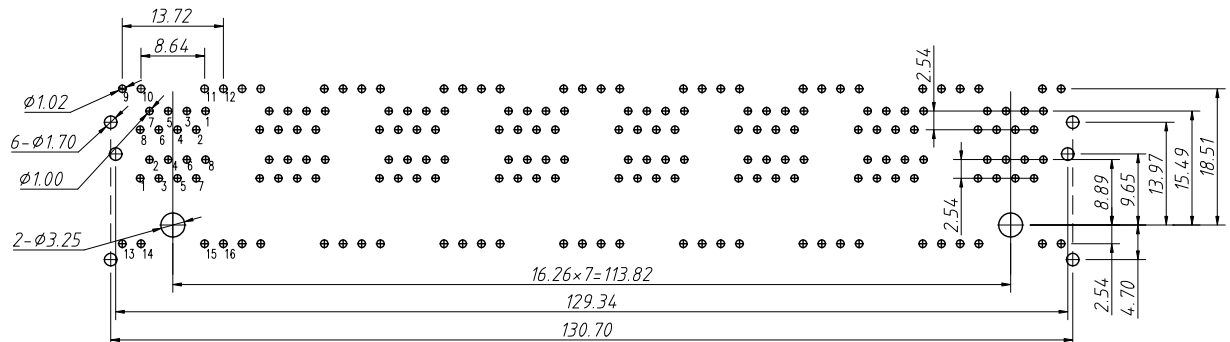
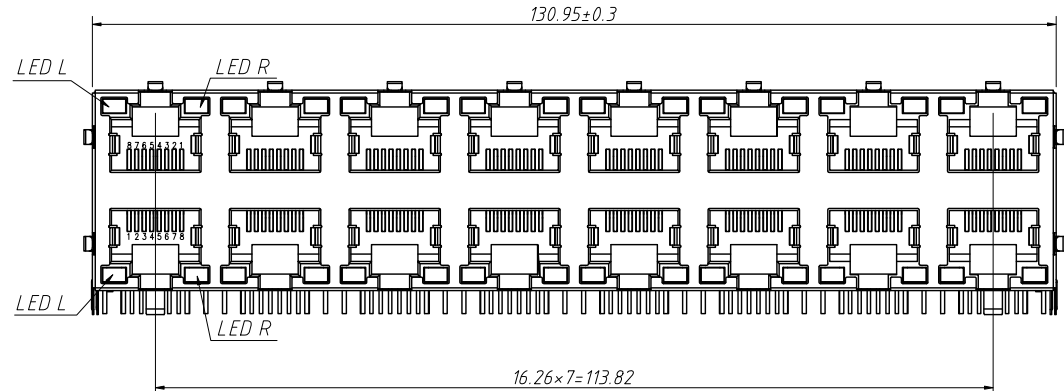
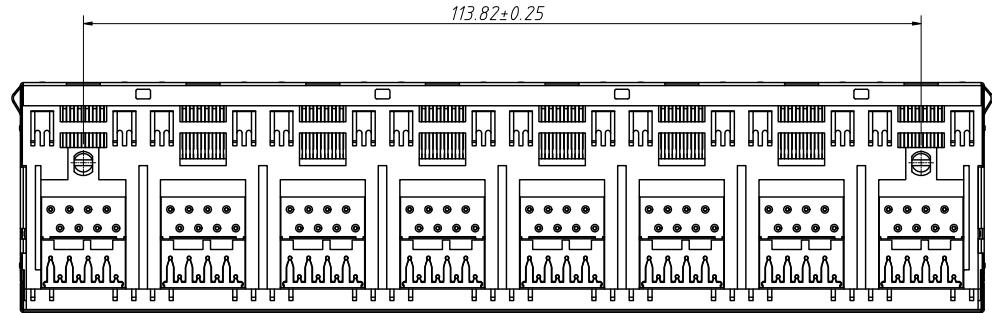
Ports LED 2x8-16 Ports Y/G- Yellow/Green RoHS



Notes:

1.Material:
Insert:UL 94V-0
Contact: Diameter 0.46mm C51000(QSn4-0.3)
Phosphor Bronze Gold Plating Over Nickel
Shield:0.20mm Thickness H65Y Brass Nickel Plated

2.Electrical:
Voltage Rating:125 VAC
Current Rating:1.5A
Contact Resistance:30mΩ Max.
Insulation Resistance:500MΩ Min @500VDC
Dielectric Strength: 1000V AC 50Hz or 60Hz,1Min
Mating/Unmating Force: 2.2KG.F Max
Retention Strength: 3.0KGF Min Between Jack And Plug
Operating Life:750 Cycles Min
Storage:-40°C ~+85°C Relative Humidity<70%
Operation:-40°C ~+85°C



Recommended PCB Layout
Tolerance:±0.05mm

ANGLE TOLERANCE	PROJECTION	Description:		
±3°		Modular Jacks,RJ45-8P8C Jack,2x8 With Shell,With LED		
GENERAL TOLERANCE	UNITS	mm	KLS P/N:	L-KLS12-313-8P8C-2X8-2-Y/G-01
x.x ±0.25	SHEET SIZE	A4	XX	
x.xx ±0.20	Draw:	Daniel	2023-06-21	NingBo KLS ELECTRONIC CO.,L TD.
x.xxx ±0.10	Check:	Daniel	2023-06-21	

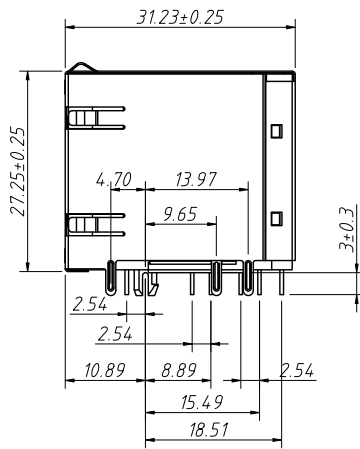
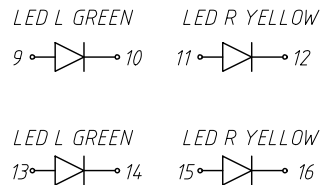
1 RoHS Compliance

Order Information

L-KLS12-313-8P8C-2X8-2-G/Y-01

Point NO. 8P8C Point Shielded 2-EMI Shielded Gold Thickness 01-Fu" 02-3u" 03-6u" 04-15u" 05-30u"

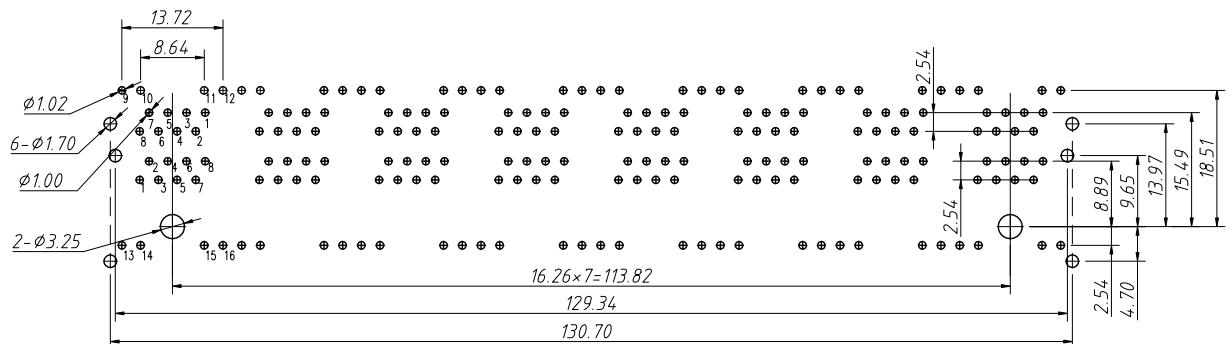
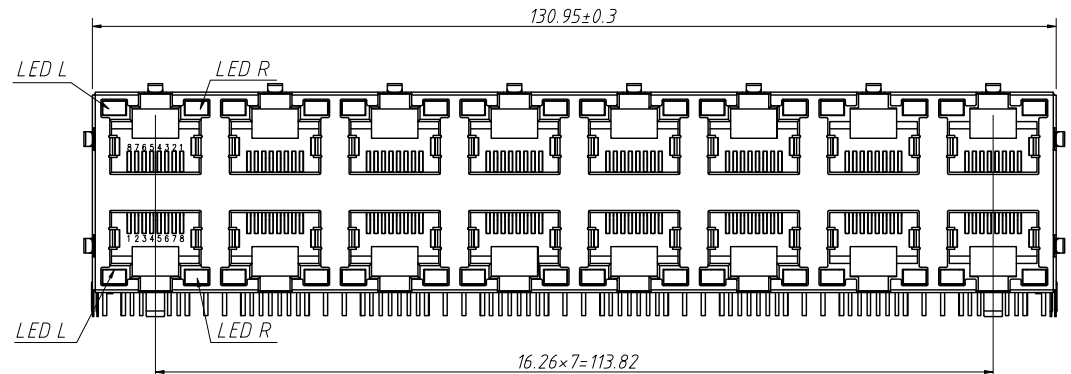
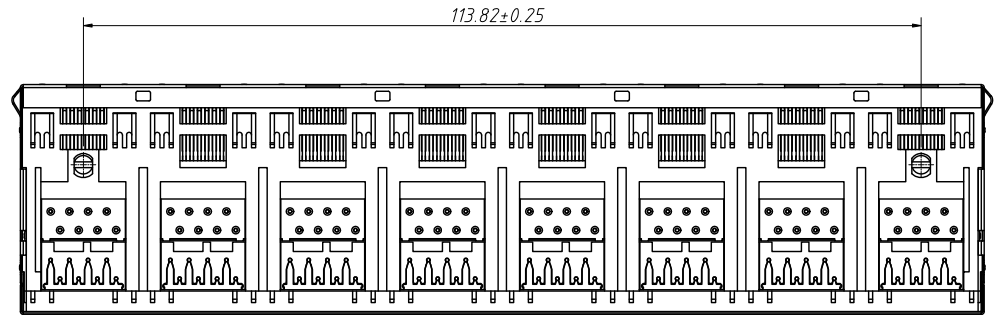
Ports LED 2x8-16 Ports G/Y-Green/Yellow RoHS



Notes:

1.Material:
Insert:UL 94V-0
Contact: Diameter 0.46mm C51000(QSn4-0.3)
Phosphor Bronze Gold Plating Over Nickel
Shield:0.20mm Thickness H65Y Brass Nickel Plated

2.Electrical:
Voltage Rating:125 VAC
Current Rating:1.5A
Contact Resistance:30mΩ Max.
Insulation Resistance:500MΩ Min @500VDC
Dielectric Strength: 1000V AC 50Hz or 60Hz,1Min
Mating/Unmating Force: 2.2KG.F Max
Retention Strength: 3.0KGF Min Between Jack And Plug
Operating Life:750 Cycles Min
Storage:-40°C ~ +85°C Relative Humidity< 70%
Operation:-40°C ~ +85°C



Recommended PCB Layout
Tolerance:±0.05mm

ANGLE TOLERANCE	PROJECTION	Description:	Modular Jacks,RJ45-8P8C Jack,2x8 With Shell,With LED
±3°			
GENERAL TOLERANCE	UNITS	mm	KLS P/N:
x.x ±0.25	SHEET SIZE	A4	XX
x.xx ±0.20	Draw:	Daniel	2023-06-21
x.xxx ±0.10	Check:	Daniel	2023-06-21

KLS NingBo KLS ELECTRONIC CO.,L TD.