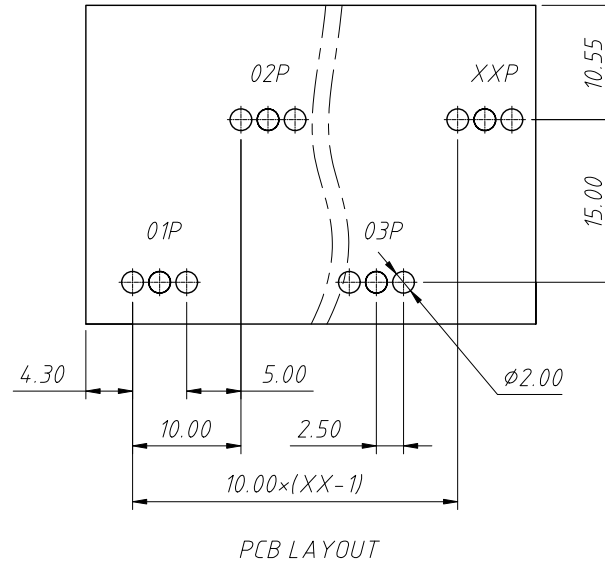
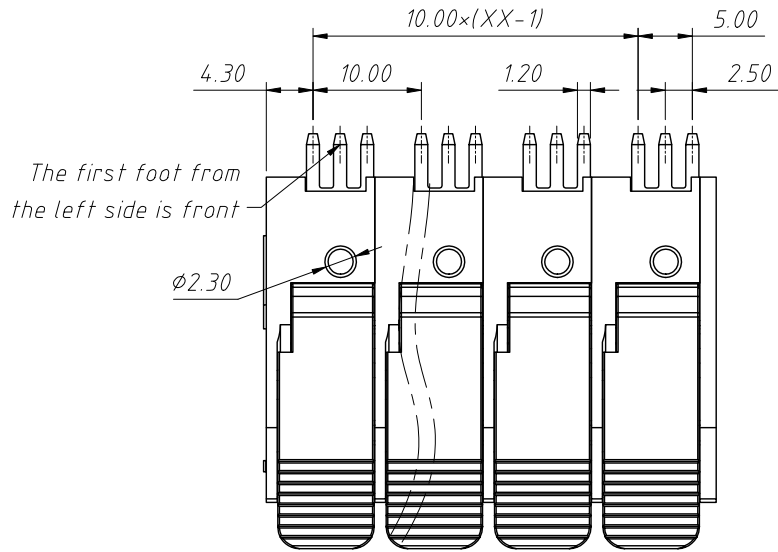


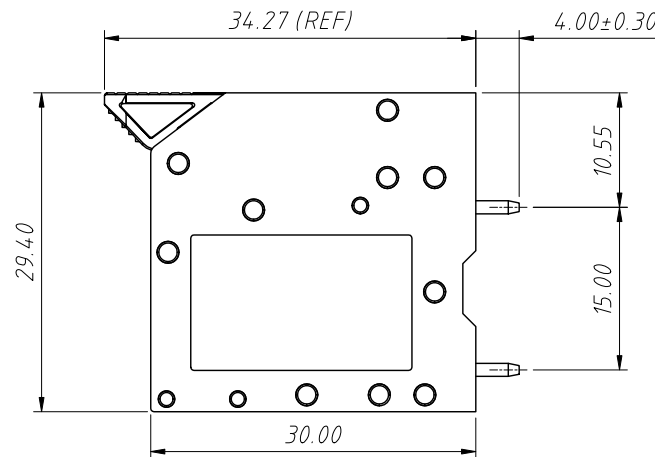
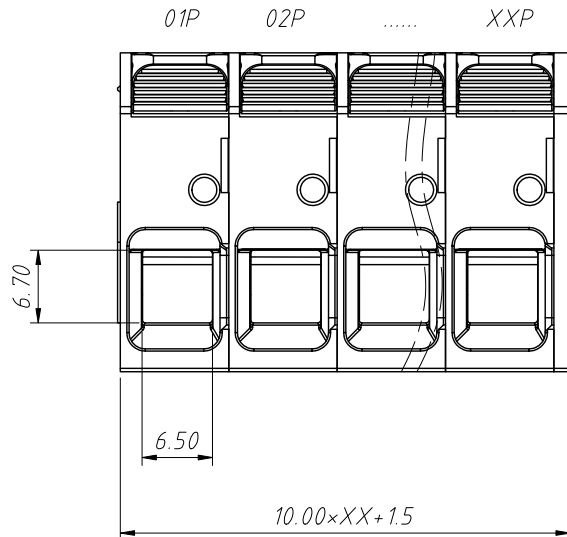
1 RoHS Compliance



Material:
Insulation:PA,UL94V-0
Contactor:Copper alloy,Sn plated

Electrical:
Rated Voltage:600V
Rated Current:66A
Withstanding Voltage:2200VAC(1min)

Mechanical:
Wire Range:4-18AGW
Stripping Length:18-20mm
Pin Dimensions:1.2×1.2mm
PCB Hole Diameter:φ2.0mm
Operating temperature:-40°C to +105°C



Order Information:
L-KLS2-416V-10.00-XXP-X
L: RoHS
Terminal Block
Pitch:10.00mm
No.: of 02 ~ 12 Pole
Color:
1=Gray 2=Blue 3=Black
4=Green 5=Orange 6=Red
7=Transp 8=Yellow 9=White

ANGLE TOLERANCE	PROJECTION	Description:	
±3°		10.00mm PCB Spring Terminal Block	
GENERAL TOLERANCE	UNITS	mm	KLS P/N:
x.x ±0.30	SHEET SIZE	A4	L-KLS2-416V-10.00-XXP-X
x.xx ±0.20	Draw:	Daniel	2023-05-05
x.xxx ±0.10	Check:	Daniel	2023-05-05



NingBo KLS ELECTRONIC CO.,L.TD.