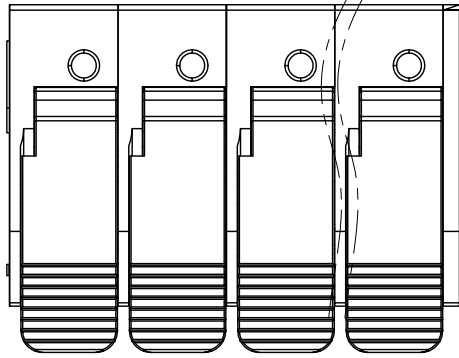
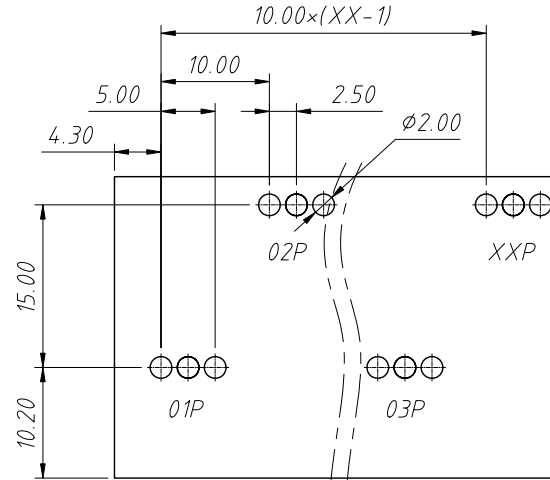


1 RoHS Compliance



01P 02P ..... XXP

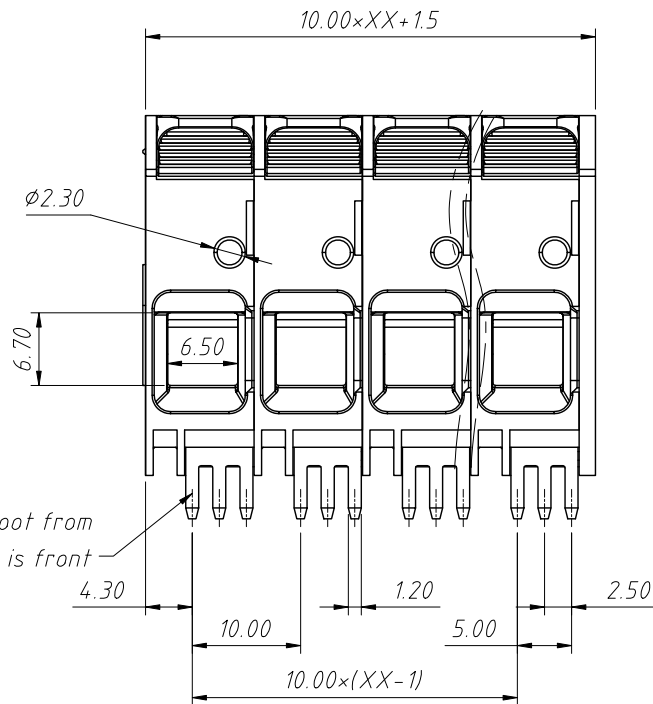


PCB LAYOUT

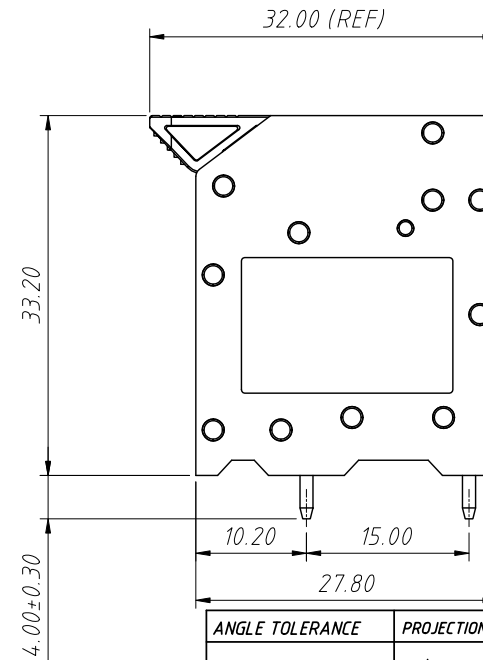
Material:  
Insulation: PA, UL 94V-0  
Contactor: Copper alloy, Sn plated

Electrical:  
Rated Voltage: 600V  
Rated Current: 66A  
Withstanding Voltage: 2200VAC (1min)

Mechanical:  
Wire Range: 4-18AGW  
Stripping Length: 18-20mm  
Pin Dimensions: 1.2x1.2mm  
PCB Hole Diameter:  $\phi 2.0\text{mm}$   
Operating temperature: -40°C to +105°C



The first foot from the left side is front



Order Information:  
L-KLS2-416R-10.00-XXP-X  
L: RoHS  
Terminal Block  
Pitch: 10.00mm  
No.: of 02 ~ 12 Pole  
Color:  
1=Gray 2=Blue 3=Black  
4=Green 5=Orange 6=Red  
7=Transp 8=Yellow 9=White

ANGLE TOLERANCE	PROJECTION	Description:	
$\pm 3^\circ$		10.00mm PCB Spring Terminal Block	
GENERAL TOLERANCE	UNITS	mm	KLS P/N:
x.x $\pm 0.30$	SHEET SIZE	A4	L-KLS2-416R-10.00-XXP-X
x.xx $\pm 0.20$	Draw:	Daniel	2023-05-05
x.xxx $\pm 0.10$	Check:	Daniel	2023-05-05



NingBo KLS ELECTRONIC CO.,L TD.