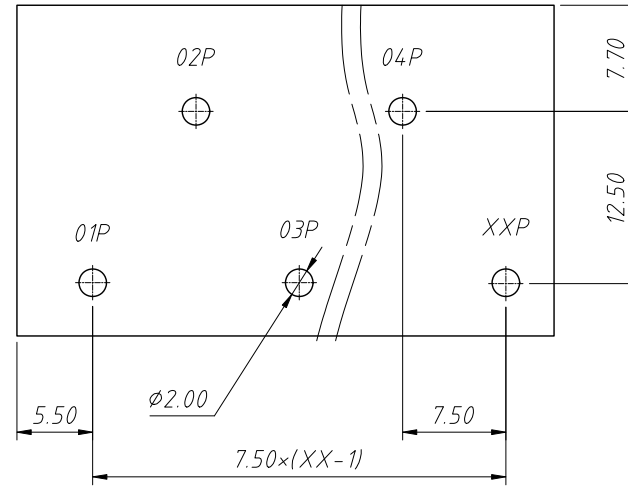
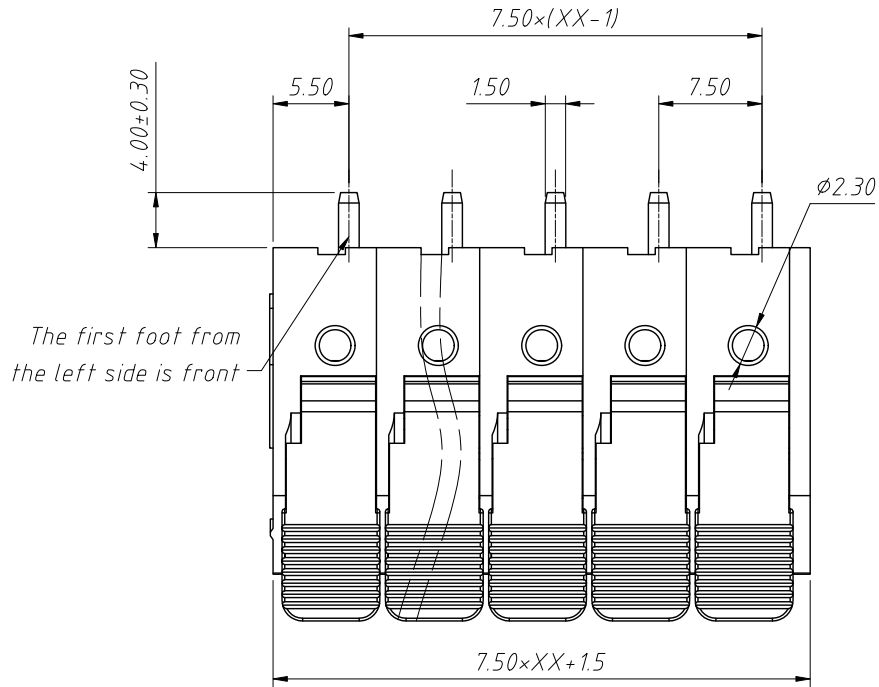


1 RoHS Compliance

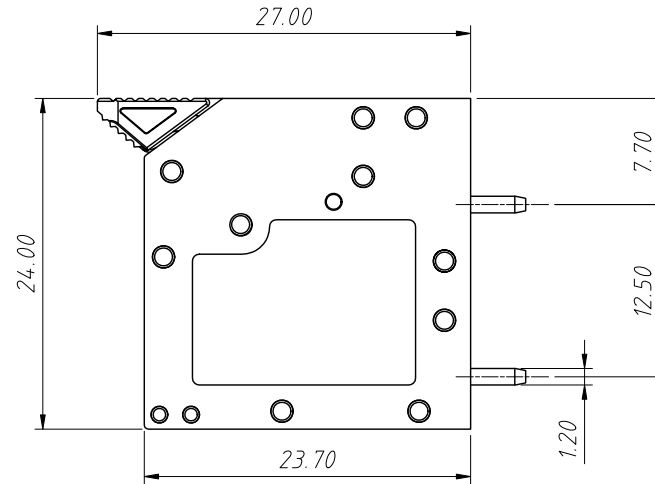
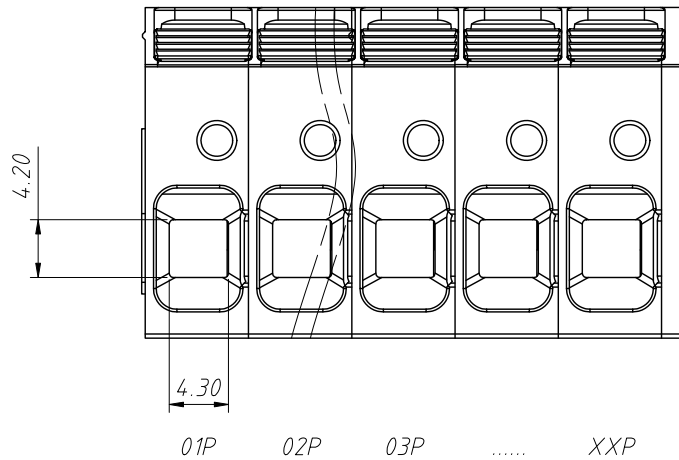


PCB LAYOUT

Material:
 Insulation:PA,UL 94V-0
 Contactor:Copper alloy,Sn plated

Electrical:
 Rated Voltage:600V
 Rated Current:41A
 Withstanding Voltage:2200VAC(1min)

Mechanical:
 Wire Range:8-24AGW
 Stripping Length:11-13mm
 Pin Dimensions:1.2×1.5mm
 PCB Hole Diameter:φ2.0mm
 Operating temperature:-40°C to +105°C



Order Information:

L-KLS2-406V-7.50-XXP-X

- L: RoHS
- Terminal Block
- Pitch:7.50mm
- No. of 02~24 Pole
- Color:
 - 1=Gray
 - 2=Blue
 - 3=Black
 - 4=Green
 - 5=Orange
 - 6=Red
 - 7=Transp
 - 8=Yellow
 - 9=White

ANGLE TOLERANCE	PROJECTION	Description:	
±3°		7.50mm PCB Spring Terminal Block	
GENERAL TOLERANCE	UNITS	mm	KLS P/N:
x.x ±0.30	SHEET SIZE	A4	L-KLS2-406V-7.50-XXP-X
x.xx ±0.20	Draw:	Daniel	2023-05-05
x.xxx ±0.10	Check:	Daniel	2023-05-05



NingBo KLS ELECTRONIC CO.,L.TD.