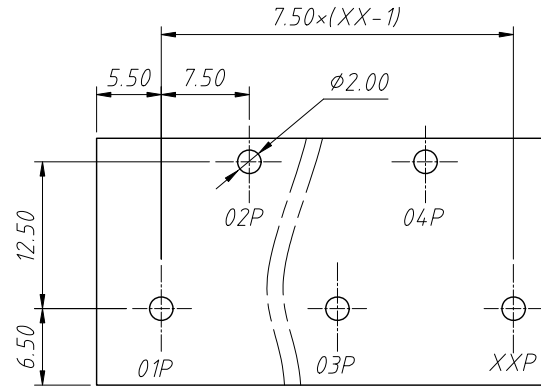
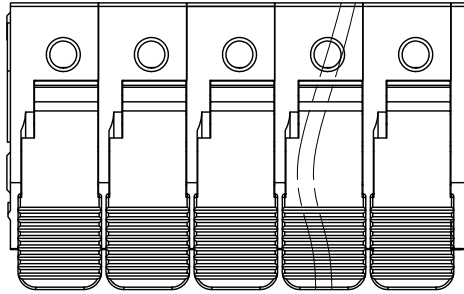


1 RoHS Compliance

01P 02P 03P XXP

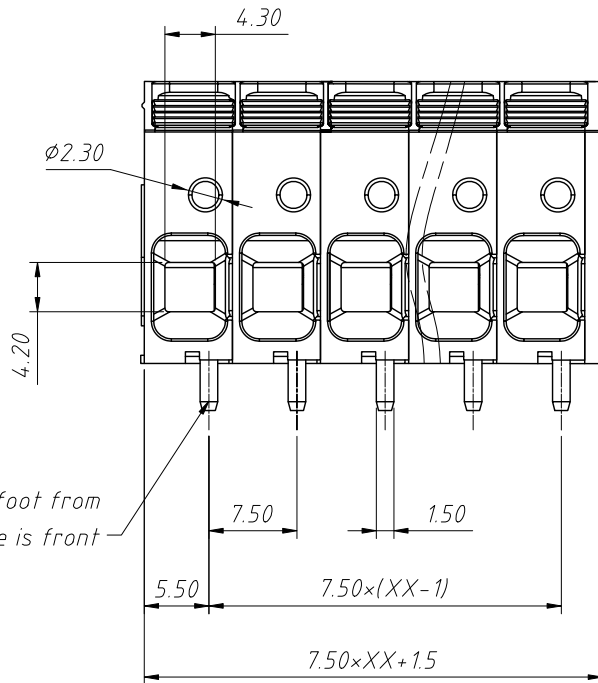


PCB LAYOUT

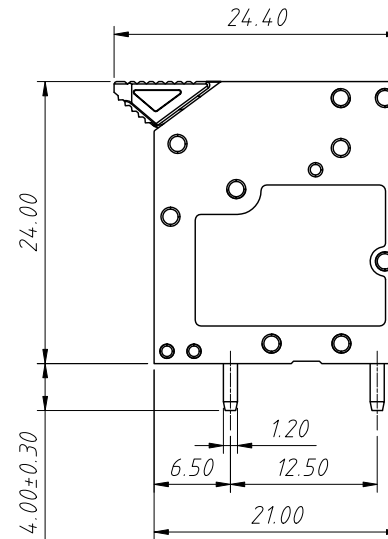
Material:
 Insulation: PA, UL 94 V-0
 Contactor: Copper alloy, Sn plated

Electrical:
 Rated Voltage: 600V
 Rated Current: 41A
 Withstanding Voltage: 2200VAC(1min)

Mechanical:
 Wire Range: 8-24AGW
 Stripping Length: 11-13mm
 Pin Dimensions: 1.2×1.5mm
 PCB Hole Diameter: $\phi 2.0$ mm
 Operating temperature: -40°C to +105°C



The first foot from the left side is front



Order Information:
 L-KLS2-406R-7.50-XXP-X

L: RoHS
 Terminal Block
 Pitch: 7.50mm
 No.: of 02 ~ 24 Pole
 Color:
 1=Gray 2=Blue 3=Black
 4=Green 5=Orange 6=Red
 7=Transp 8=Yellow 9=White

ANGLE TOLERANCE	PROJECTION	Description:
$\pm 3^\circ$		7.50mm PCB Spring Terminal Block
GENERAL TOLERANCE	UNITS	mm
x.x ± 0.30	SHEET SIZE	A4
x.xx ± 0.20	Draw:	Daniel 2023-05-05
x.xxx ± 0.10	Check:	Daniel 2023-05-05
		L-KLS2-406R-7.50-XXP-X
		NingBo KLS ELECTRONIC CO.,L TD.