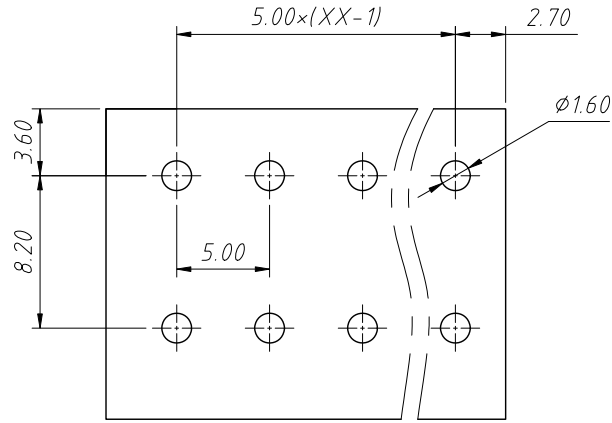
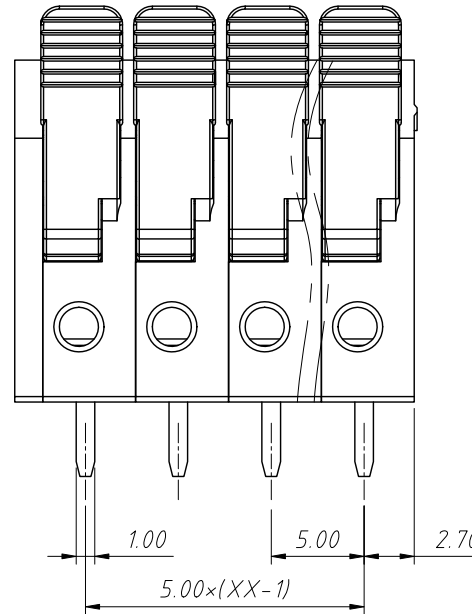
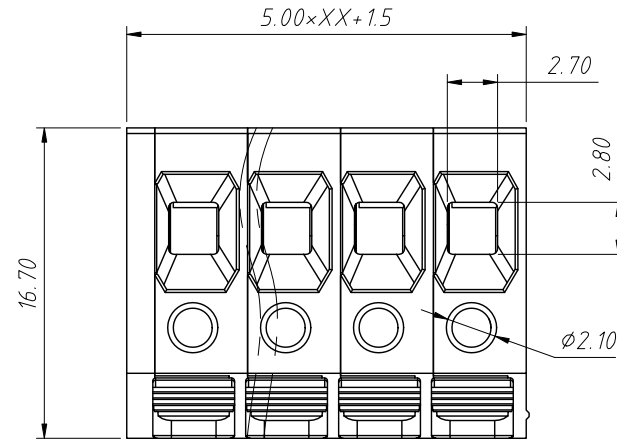
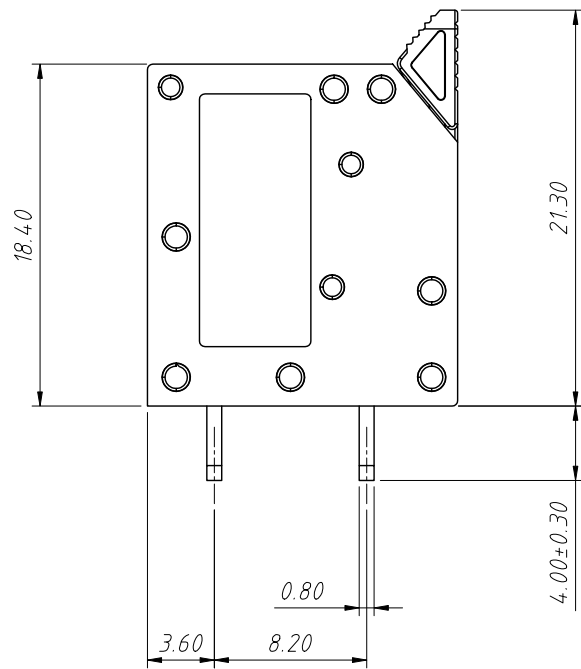


1 RoHS Compliance



PCB LAYOUT



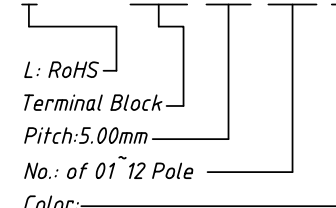
**Material:**  
 Insulation: PA, UL94V-0  
 Contactor: Copper alloy, Sn plated

**Electrical:**  
 Rated Voltage: 300V  
 Rated Current: 20A  
 Withstanding Voltage: 2200VAC(1min)

**Mechanical:**  
 Wire Range: 12-24AGW  
 Stripping Length: 9-11mm  
 Pin Dimensions: 0.8×1.0mm  
 PCB Hole Diameter:  $\phi 1.6$ mm  
 Operating temperature: -40°C to +105°C

**Order Information:**

L-KLS2-404V-5.00-XXP-X



- 1=Gray    2=Blue    3=Black
- 4=Green    5=Orange    6=Red
- 7=Transp    8=Yellow    9=White

ANGLE TOLERANCE	PROJECTION	Description:	
$\pm 3^\circ$		5.00mm PCB Spring Terminal Block	
GENERAL TOLERANCE	UNITS	mm	KLS P/N:
x.x $\pm 0.30$	SHEET SIZE	A4	L-KLS2-404V-5.00-XXP-X
x.xx $\pm 0.20$	Draw:	Daniel	2023-05-05
x.xxx $\pm 0.10$	Check:	Daniel	2023-05-05



NingBo KLS ELECTRONIC CO.,LTD.