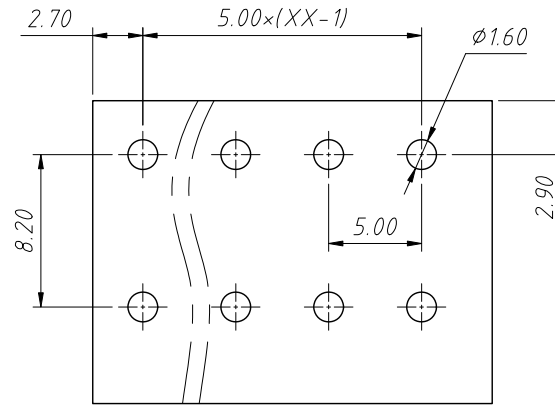
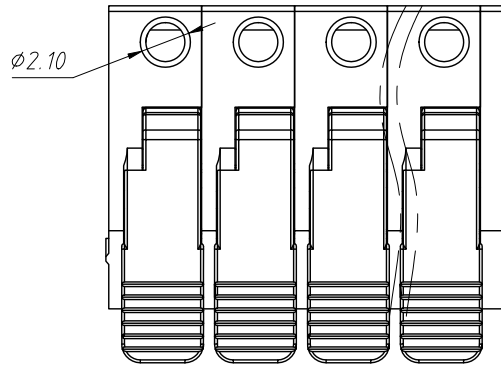


RoHS Compliance



PCB LAYOUT

Material:

Insulation: PA, UL94V-0

Contactors: Copper alloy, Sn plated

Electrical:

Rated Voltage: 300V

Rated Current: 20A

Withstanding Voltage: 2200VAC(1min)

Mechanical:

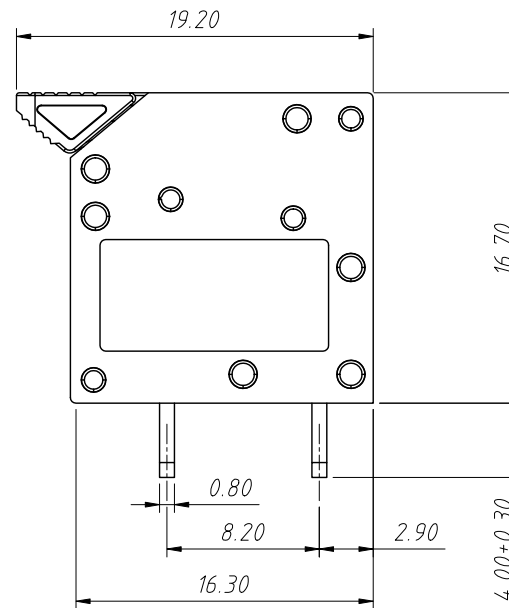
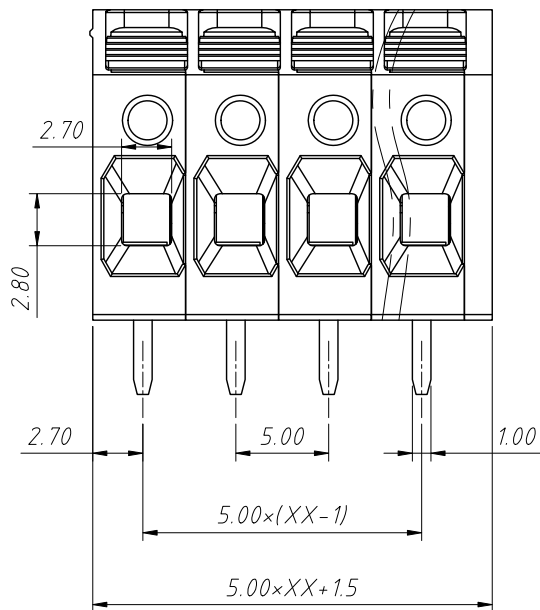
Wire Range: 12-24AGW

Stripping Length: 9-11mm

Pin Dimensions: 0.8x1.0mm

PCB Hole Diameter: $\phi 1.6$ mm

Operating temperature: -40°C to $+105^{\circ}\text{C}$



Order Information:

L-KLS2-404R-5.00-XXP-X

L: RoHS

Terminal Block

Pitch: 5.00mm

No.: of 01 ~ 12 Pole

Color:

1=Gray 2=Blue 3=Black

4=Green 5=Orange 6=Red

7=Transp 8=Yellow 9=White

| | | | | |
|-------------------|------------|--------------|----------------------------------|---------------------------------|
| ANGLE TOLERANCE | PROJECTION | Description: | 5.00mm PCB Spring Terminal Block | |
| $\pm 3^{\circ}$ | | | | |
| GENERAL TOLERANCE | UNITS | mm | KLS P/N: | L-KLS2-404R-5.00-XXP-X |
| x.x ± 0.30 | SHEET SIZE | A4 | | |
| x.xx ± 0.20 | Draw: | Daniel | 2023-05-05 | NingBo KLS ELECTRONIC CO.,L TD. |
| x.xxx ± 0.10 | Check: | Daniel | 2023-05-05 | |