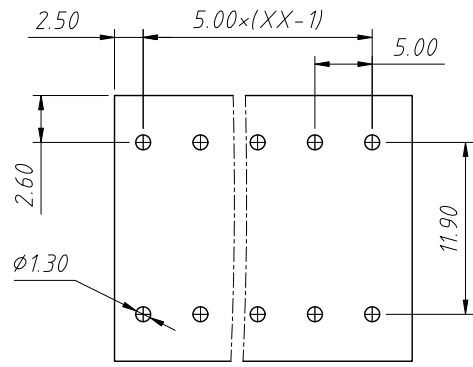
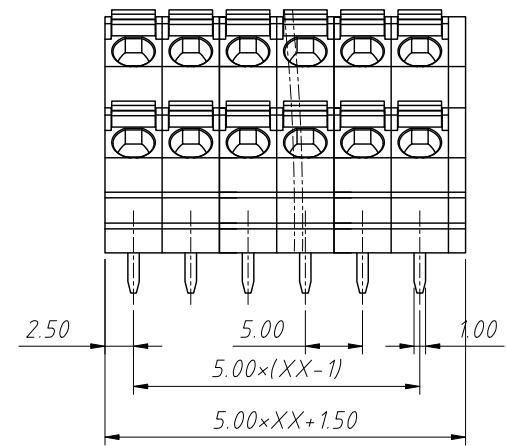
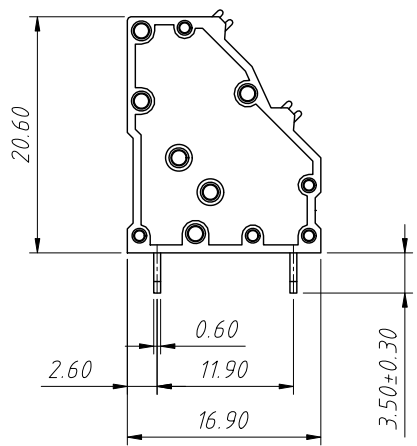
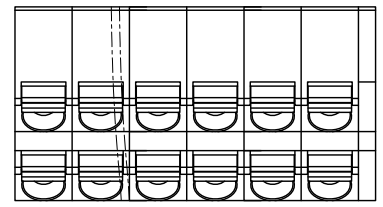


1  
RoHS Compliance



PCB LAYOUT



Material:  
Insulation:PA66,UL 94 V-0  
Contactor:Copper alloy,Sn plated

Electrical:  
Rated Voltage:300V  
Rated Current:10A  
Withstanding Voltage:1600VAC(1min)

Mechanical:  
Wire Range:16-28AWG  
Stripping Length:8-9mm  
Pin Dimensions:0.6×1.0mm  
PCB Hole Diameter:φ1.3mm  
Soldering Temperature:260°C/5S  
Operating temperature:-40°C to +105°C

Order Information:  
L-KLS2-252T2-5.00-XXP-X  
L: RoHS  
Terminal Block  
Pitch:5.00mm  
No.: of 2×01 2×24 Pole  
Color:  
1=Gray 2=Blue 3=Black  
4=Green 5=Orange 6=Red  
7=Transp 8=Yellow 9=White

ANGLE TOLERANCE	PROJECTION	Description:	5.00mm PCB Spring Terminal Block	
±3°				
GENERAL TOLERANCE	UNITS	mm	KLS P/N:	L-KLS2-252T2-5.00-XXP-X
x.x ±0.30	SHEET SIZE	A4		
x.xx ±0.20	Draw:	Daniel	2023-05-05	NingBo KLS ELECTRONIC CO.,L TD.
x.xxx ±0.10	Check:	Daniel	2023-05-05	