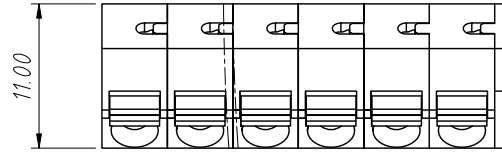


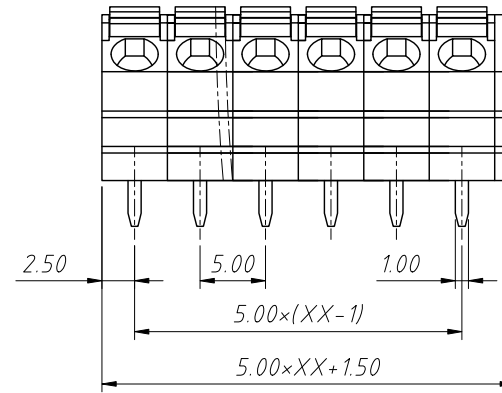
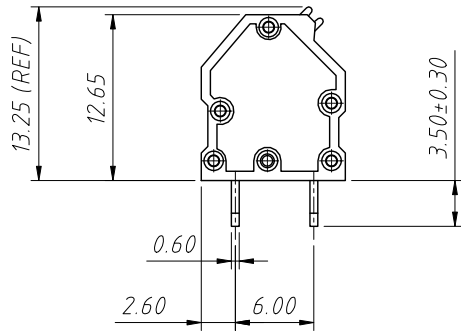
1 RoHS Compliance



Material:
 Insulation: PA66, UL 94V-0
 Contactor: Copper alloy, Sn plated

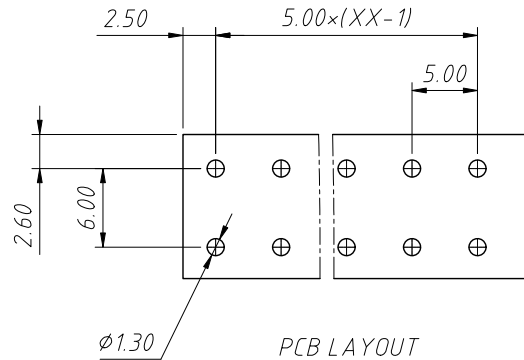
Electrical:
 Rated Voltage: 300V
 Rated Current: 10A
 Withstanding Voltage: 1600VAC(1min)

Mechanical:
 Wire Range: 16-28AWG
 Stripping Length: 8-9mm
 Pin Dimensions: 0.6x1.0mm
 PCB Hole Diameter: $\phi 1.3$ mm
 Soldering Temperature: 260°C/5S
 Operating temperature: -40°C to +105°C



Order Information:
 L-KLS2-252-5.00-XXP-X

L: RoHS
 Terminal Block
 Pitch: 5.00mm
 No.: of 01~24 Pole
 Color:
 1=Gray 2=Blue 3=Black
 4=Green 5=Orange 6=Red
 7=Transp 8=Yellow 9=White



ANGLE TOLERANCE	PROJECTION	Description:	
$\pm 3^\circ$		5.00mm PCB Spring Terminal Block	
GENERAL TOLERANCE	UNITS	mm	KLS P/N:
x.x ± 0.30	SHEET SIZE	A4	L-KLS2-252-5.00-XXP-X
x.xx ± 0.20	Draw:	Daniel	2023-05-05
x.xxx ± 0.10	Check:	Daniel	2023-05-05



NingBo KLS ELECTRONIC CO.,L TD.