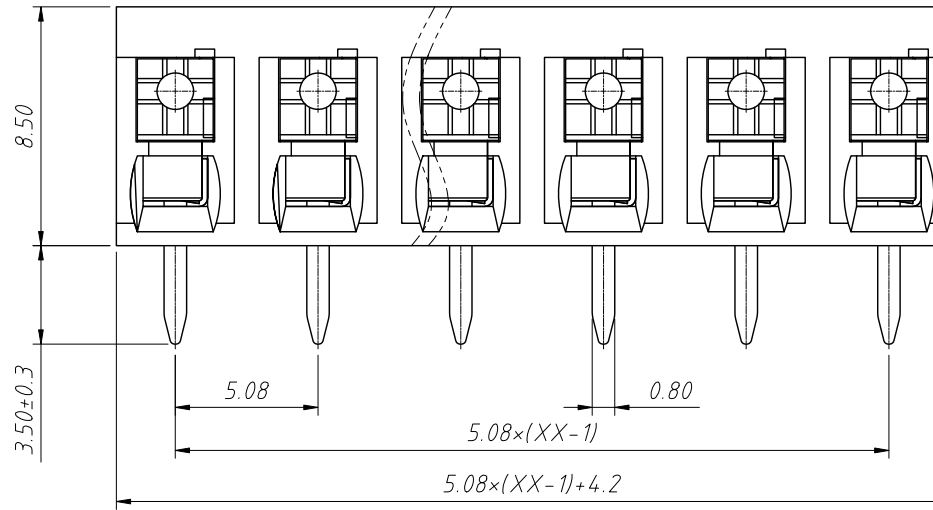


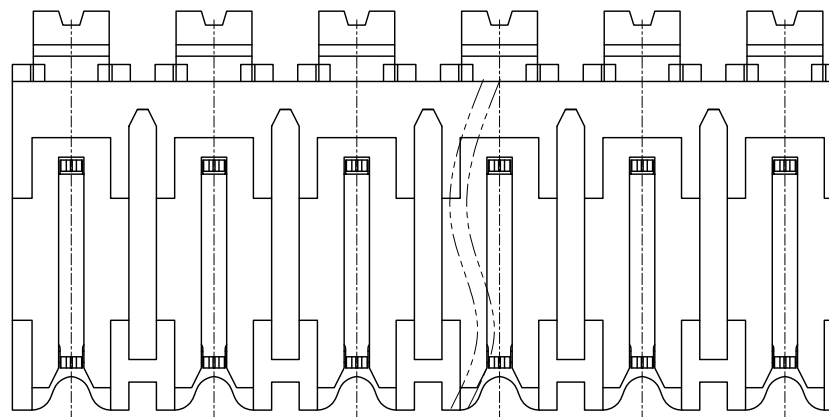
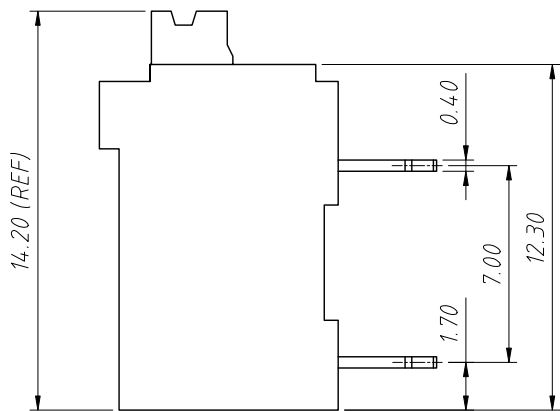
PCB LAYOUT



Material:
 Insulation: LCP, UL 94 V-0
 Contactor: Copper alloy, Sn plated

Electrical:
 Rated Voltage: 300V
 Rated Current: 10A
 Withstanding Voltage: 1600VAC(1min)

Mechanical:
 Stripping Length: 7-8mm
 Pin Dimensions: 0.8x0.4mm
 PCB Hole Diameter: $\phi 1.20$
 Soldering Temperature: 285°C/10S
 Operating temperature: -40°C to +130°C



Order Information:
 L-KLS2-212R-5.08-XXP-X

L: RoHS
 Terminal Block
 Pitch: 5.08mm
 No.: of 02 ~ 24 Pole
 Color:
 1=Gray 2=Blue 3=Black
 4=Green 5=Orange 6=Red
 7=Transp 8=Yellow 9=White

ANGLE TOLERANCE	PROJECTION	Description:	
$\pm 3^\circ$		5.08mm PCB Spring Terminal Block	
GENERAL TOLERANCE	UNITS	mm	KLS P/N:
x.x ± 0.30	SHEET SIZE	A4	L-KLS2-212R-5.08-XXP-X
x.xx ± 0.20	Draw:	Daniel	2023-05-05
x.xxx ± 0.10	Check:	Daniel	2023-05-05



NingBo KLS ELECTRONIC CO.,L.TD.