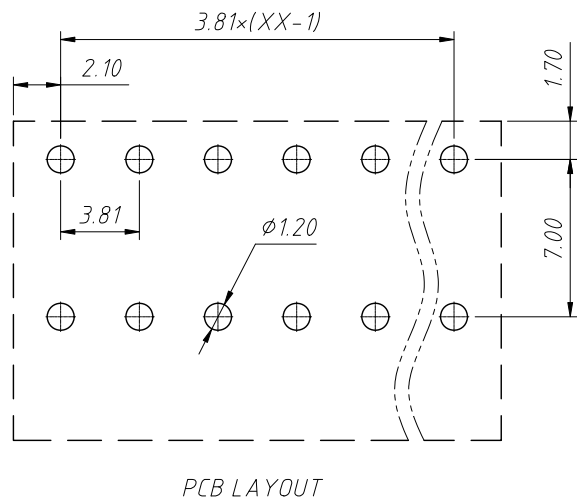
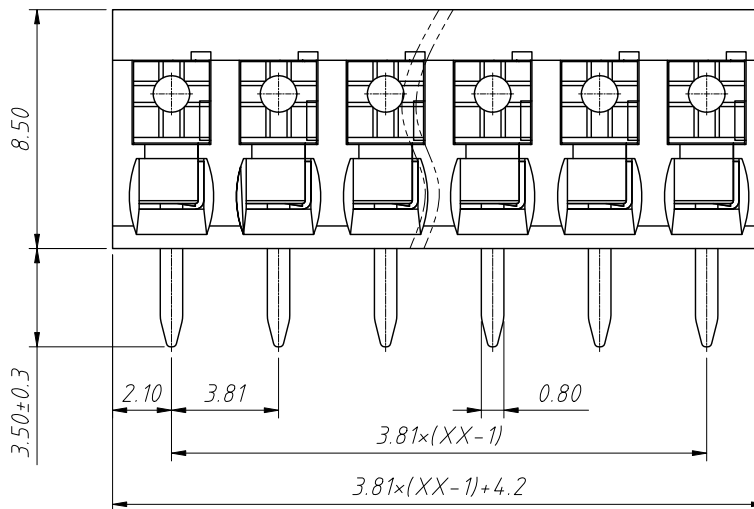


1 RoHS Compliance



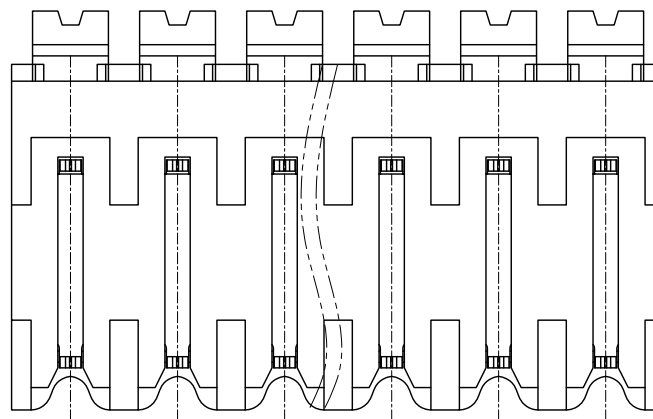
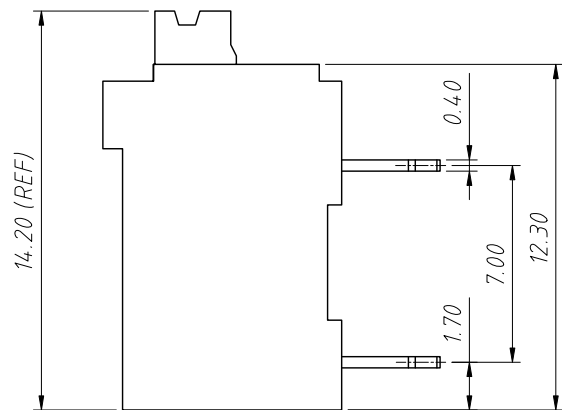
PCB LAYOUT



Material:  
 Insulation:LCP,UL 94V-0  
 Contactor:Copper alloy,Sn plated

Electrical:  
 Rated Voltage:300V  
 Rated Current:10A  
 Withstanding Voltage:1600VAC(1min)

Mechanical:  
 Stripping Length:7-8mm  
 Pin Dimensions:0.8×0.4mm  
 PCB Hole Diameter:φ1.2mm  
 Soldering Temperature:285°C/10S  
 Operating temperature:-40°C to +130°C



Order Information:  
 L-KLS2-212R-3.81-XXP-X  
 L: RoHS  
 Terminal Block  
 Pitch:3.81mm  
 No.: of 02 ~ 24 Pole  
 Color:  
 1=Gray 2=Blue 3=Black  
 4=Green 5=Orange 6=Red  
 7=Transp 8=Yellow 9=White

ANGLE TOLERANCE	PROJECTION	Description:	
±3°		3.81mm PCB Spring Terminal Block	
GENERAL TOLERANCE	UNITS	mm	KLS P/N:
x.x ±0.30	SHEET SIZE	A4	L-KLS2-212R-3.81-XXP-X
x.xx ±0.20	Draw:	Daniel	2023-05-05
x.xxx ±0.10	Check:	Daniel	2023-05-05



NingBo KLS ELECTRONIC CO.,L TD.