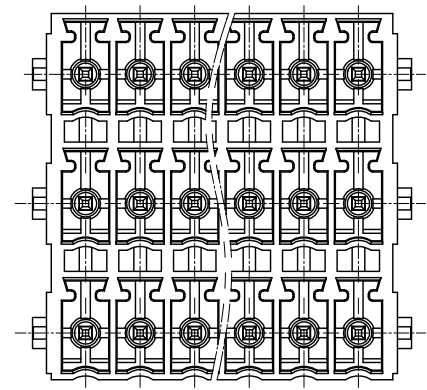
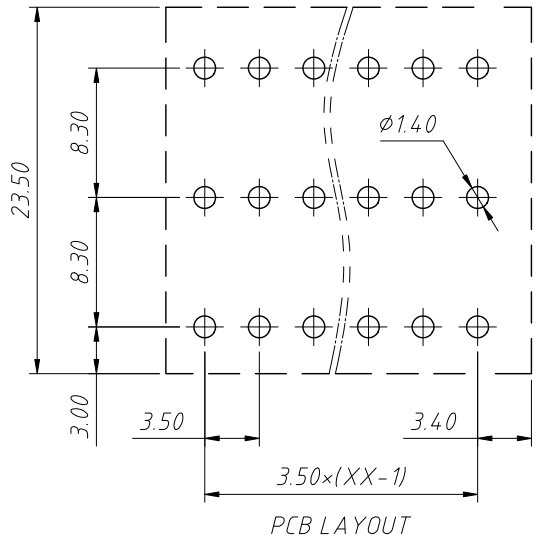


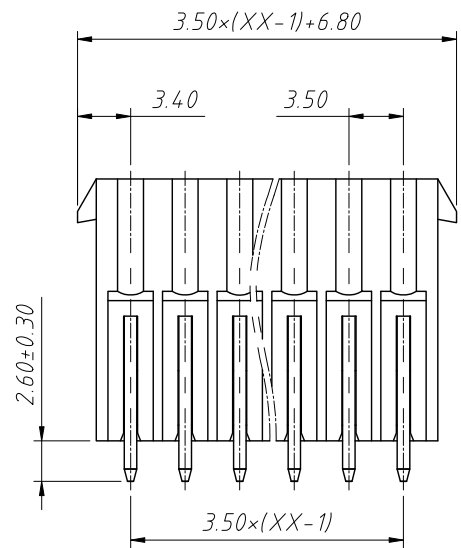
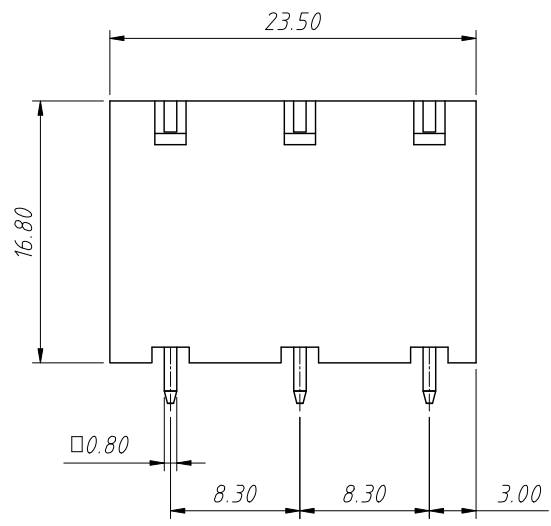
1
RoHS Compliance



Material:
Insulation:LCP,UL 94V-0
Contactor:Copper alloy,Sn plated

Electrical:
Rated Voltage:300V
Rated Current:8A
Withstanding Voltage:1600VAC(1min)

Mechanical:
Pin Dimensions:0.8×0.8mm
PCB Hole Diameter:φ1.4mm
Operating temperature:-40°C to +105°C



Order Information:
L-KLS2-THTEDAV3N-3.50-XXP-X

L: RoHS
Terminal Block
Pitch:3.50mm
No.: of 3×02 ~ 3×24 Pole
Color:
1=Gray 2=Blue 3=Black
4=Green 5=Orange 6=Red
7=Transp 8=Yellow 9=White

ANGLE TOLERANCE	PROJECTION	Description:	
±3°		3.50mm Pluggable terminal block	
GENERAL TOLERANCE	UNITS	mm	KLS P/N:
x.x ±0.30	SHEET SIZE	A4	L-KLS2-THTEDAV3N-3.50-XXP-X
x.xx ±0.20	Draw:	Daniel	2023-05-05
x.xxx ±0.10	Check:	Daniel	2023-05-05

