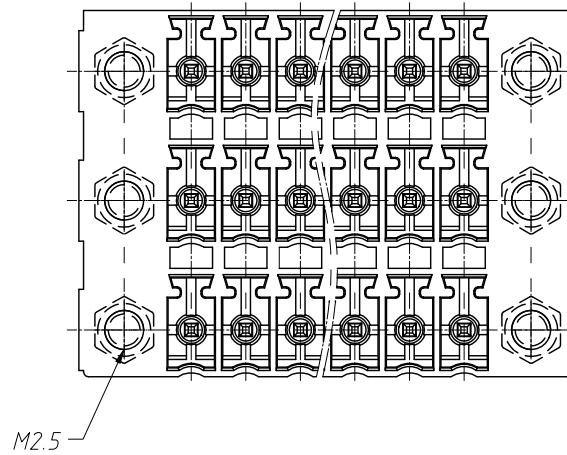
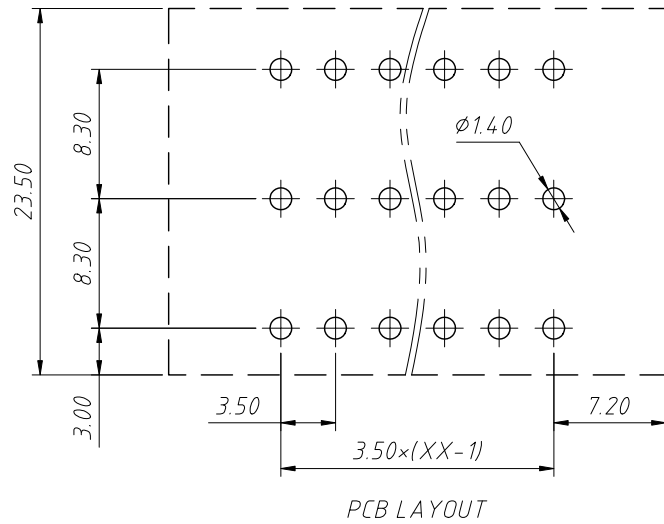


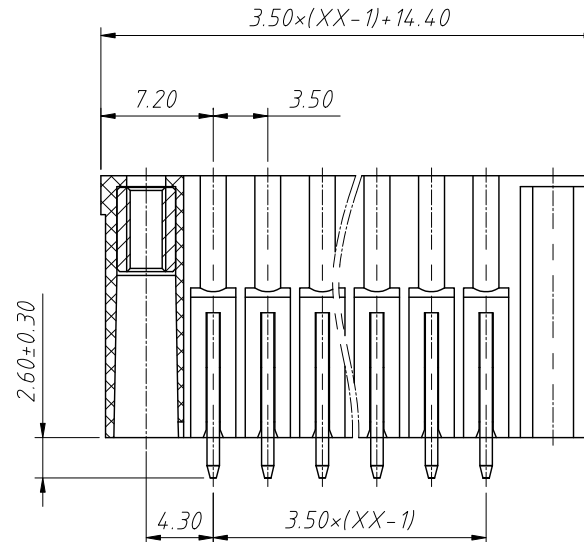
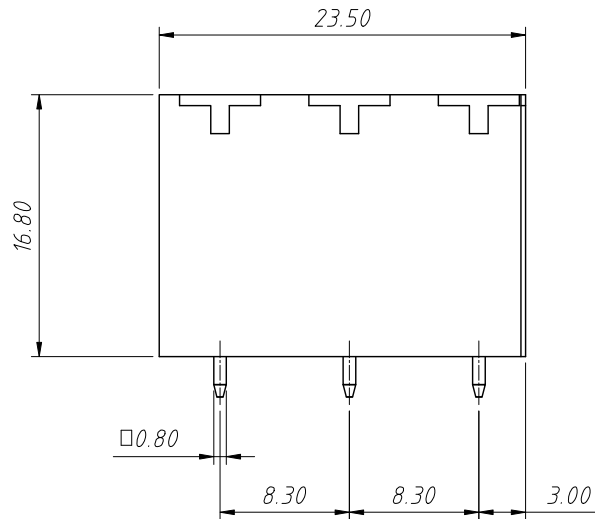
1 RoHS Compliance



Material:
 Insulation: LCP, UL 94V-0
 Contactor: Copper alloy, Sn plated

Electrical:
 Rated Voltage: 300V
 Rated Current: 8A
 Withstanding Voltage: 1600VAC(1min)

Mechanical:
 Pin Dimensions: 0.8x0.8mm
 PCB Hole Diameter: $\phi 1.4$ mm
 Operating temperature: -40°C to +105°C



Order Information:
 L-KLS2-THTEDAV3M-3.50-XXP-X

L: RoHS
 Terminal Block
 Pitch: 3.50mm
 No.: of 3x02 ~ 3x24 Pole
 Color:
 1=Gray 2=Blue 3=Black
 4=Green 5=Orange 6=Red
 7=Transp 8=Yellow 9=White

ANGLE TOLERANCE	PROJECTION	Description:	3.50mm Pluggable terminal block	
$\pm 3^\circ$				
GENERAL TOLERANCE	UNITS	mm	KLS P/N:	L-KLS2-THTEDAV3M-3.50-XXP-X
x.x ± 0.30	SHEET SIZE	A4		
x.xx ± 0.20	Draw:	Daniel	2023-05-05	NingBo KLS ELECTRONIC CO.,L TD.
x.xxx ± 0.10	Check:	Daniel	2023-05-05	