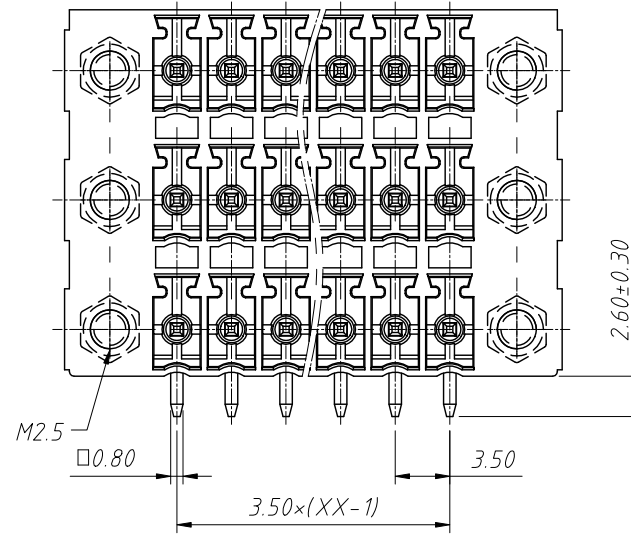
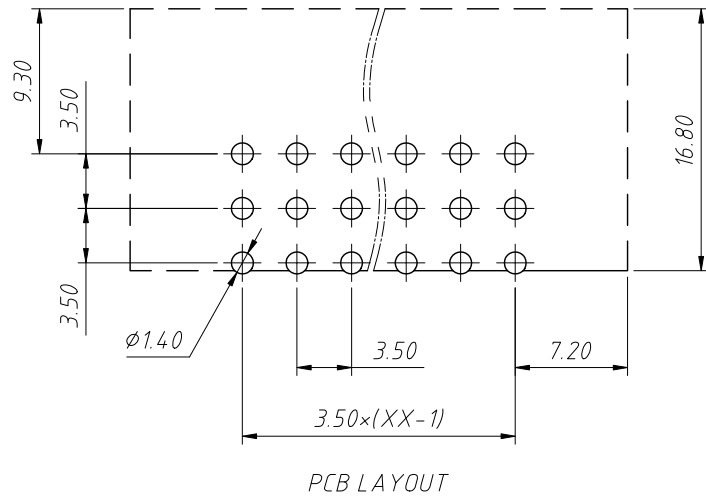


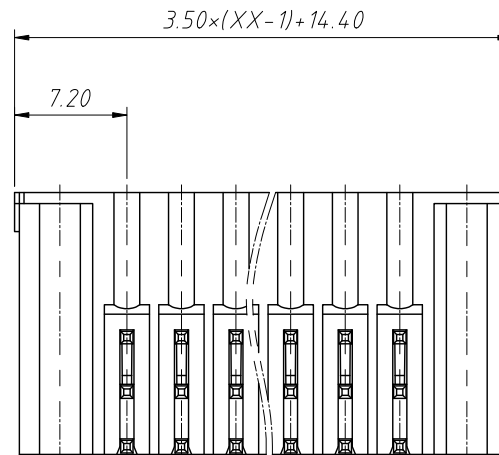
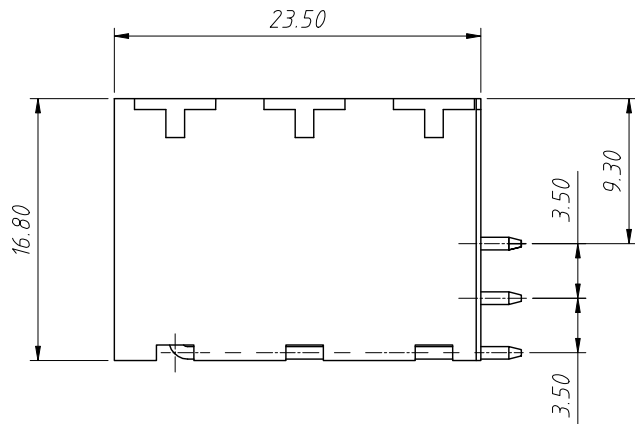
RoHS Compliance



Material:
 Insulation:LCP,UL 94V-0
 Contactor:Copper alloy,Sn plated

Electrical:
 Rated Voltage:300V
 Rated Current:8A
 Withstanding Voltage:1600VAC(1min)

Mechanical:
 Pin Dimensions:0.8×0.8mm
 PCB Hole Diameter:φ1.4mm
 Operating temperature:-40°C to +105°C



Order Information:
 L-KLS2-THTEDAR3M-3.50-XXP-X

L: RoHS
 Terminal Block
 Pitch:3.50mm
 No.: of 3×02 ~ 3×24 Pole
 Color:

1=Gray 2=Blue 3=Black
 4=Green 5=Orange 6=Red
 7=Transp 8=Yellow 9=White

ANGLE TOLERANCE	PROJECTION	Description:	
±3°		3.50mm Pluggable terminal block	
GENERAL TOLERANCE	UNITS	mm	KLS P/N:
x.x ±0.30	SHEET SIZE	A4	L-KLS2-THTEDAR3M-3.50-XXP-X
x.xx ±0.20	Draw:	Daniel	2023-05-05
x.xxx ±0.10	Check:	Daniel	2023-05-05



NingBo KLS ELECTRONIC CO.,L TD.