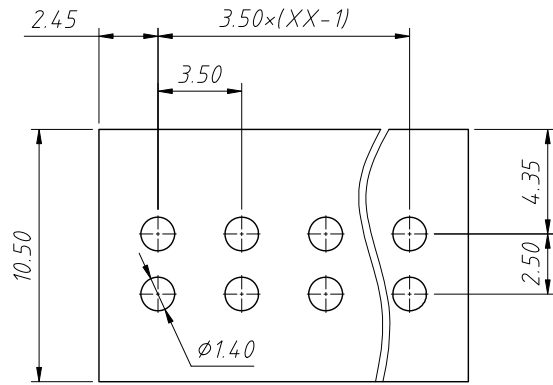
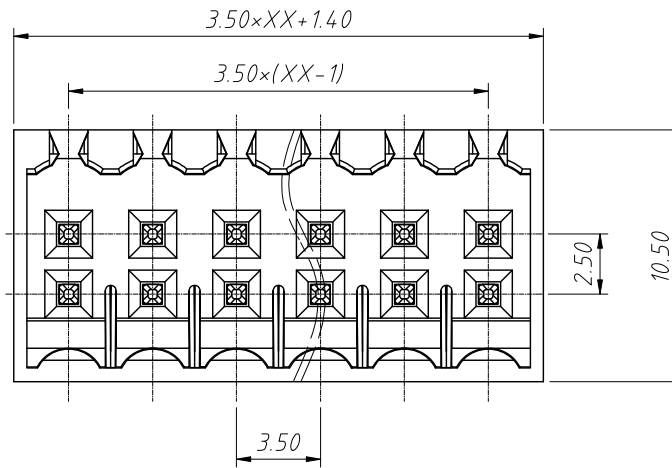


RoHS Compliance



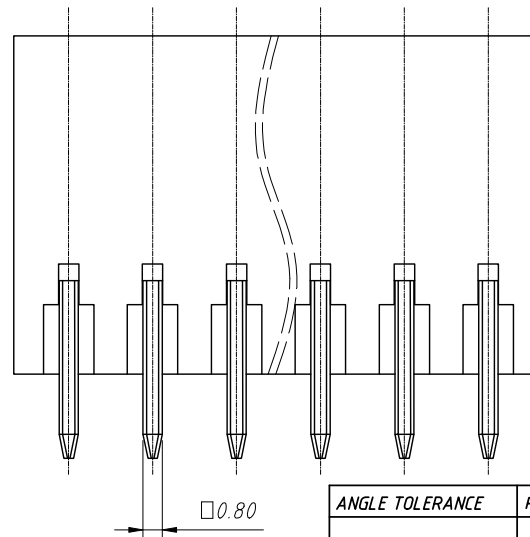
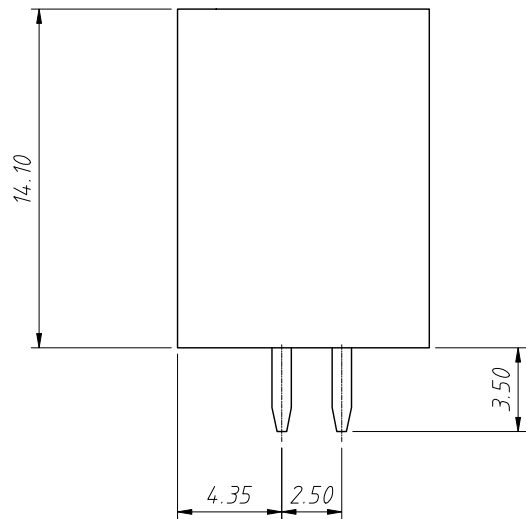
PCB LAYOUT



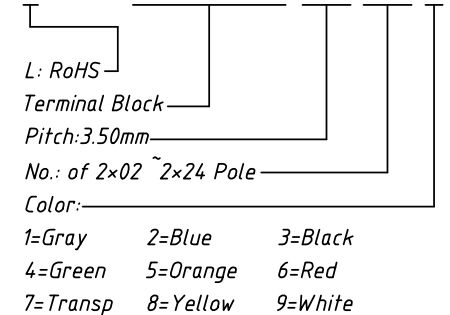
Material:
 Insulation: LCP, UL94V-0
 Contactor: Copper alloy, Sn plated

Electrical:
 Rated Voltage: 150V
 Rated Current: 7A
 Withstanding Voltage: 1300VAC(1min)

Mechanical:
 Operating temperature: -40°C to +130°C



Order Information:
 L-KLS2-THREDGVHSC-3.50-XXP-X



- Color:**
- 1=Gray 2=Blue 3=Black
 - 4=Green 5=Orange 6=Red
 - 7=Transp 8=Yellow 9=White

ANGLE TOLERANCE	PROJECTION	Description:	3.50mm Pluggable terminal block	
±3°				
GENERAL TOLERANCE	UNITS	mm	KLS P/N:	L-KLS2-THREDGVHSC-3.50-XXP-X
x.x ±0.30	SHEET SIZE	A4		
x.xx ±0.20	Draw:	Daniel	2023-05-05	
x.xxx ±0.10	Check:	Daniel	2023-05-05	

NingBo KLS ELECTRONIC CO.,L TD.