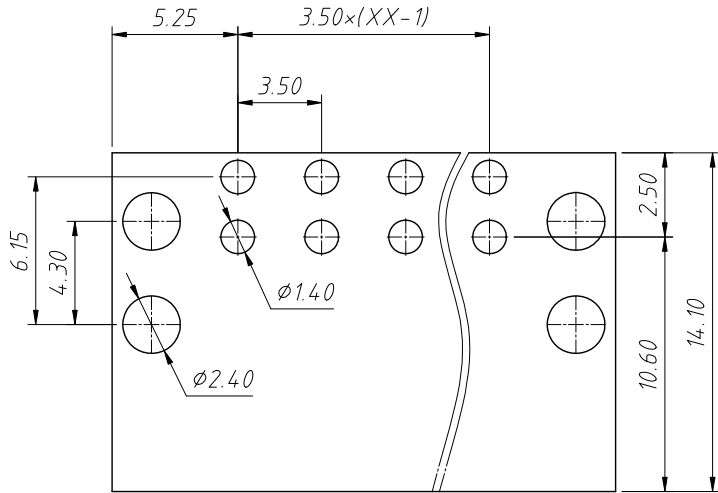
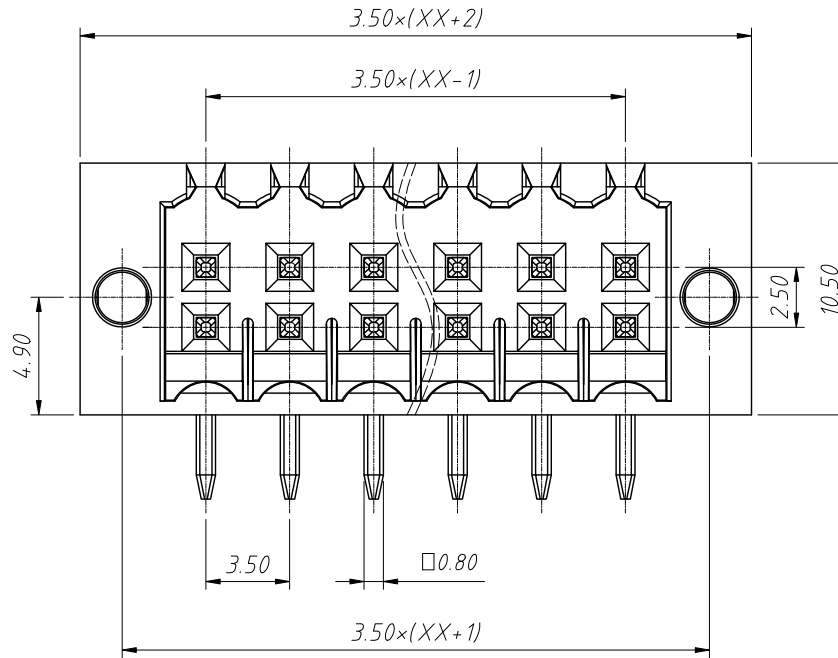


1 RoHS Compliance



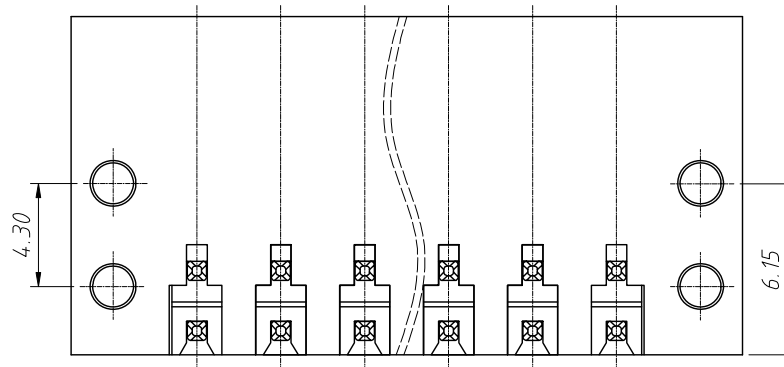
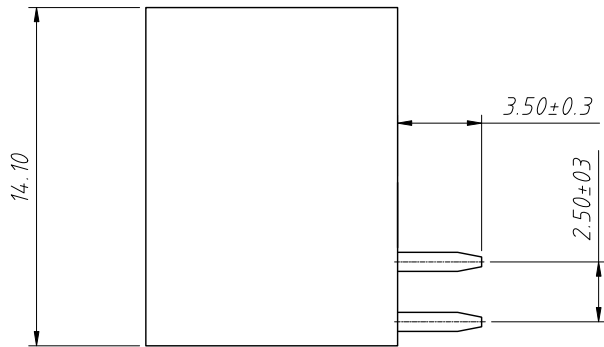
PCB LAYOUT



Material:
Insulation: LCP, UL 94 V-0
Contactor: Copper alloy, Sn plated

Electrical:
Rated Voltage: 150V
Rated Current: 7A
Withstanding Voltage: 1300VAC (1min)

Mechanical:
Operating temperature: -40°C to +130°C



Order Information:

L-KLS2-THREDGRHSM-3.50-XXP-X

L: RoHS
Terminal Block
Pitch: 3.50mm
No. of 2x02 ~ 2x24 Pole
Color:
1=Gray 2=Blue 3=Black
4=Green 5=Orange 6=Red
7=Transp 8=Yellow 9=White

ANGLE TOLERANCE	PROJECTION	Description:
±3°		3.50mm Pluggable terminal block
GENERAL TOLERANCE	UNITS	mm
x.x ±0.30	SHEET SIZE	A4
x.xx ±0.20	Draw:	Daniel 2023-05-05
x.xxx ±0.10	Check:	Daniel 2023-05-05
		L-KLS2-THREDGRHSM-3.50-XXP-X
		NingBo KLS ELECTRONIC CO.,L TD.